
	TECHNICAL SPECIFICATION		Nº I-ET-3010.00-1400-140-P4X-001							
	CLIENT:						SHEET: 1 of 53			
	PROJECT:						-			
	UNIT:									
SRGE	TITLE: STRUCTURE PLATES AND PROFILES CATALOGUE						INTERNAL			
ESUP										
MICROSOFT WORD / V. 2019 / I-ET-3010.00-1400-140-P4X-001_E.DOCX										
INDEX OF REVISIONS										
REV.	DESCRIPTION AND/OR REVISED SHEETS									
0	ORIGINAL									
A	TUBULAR, T / WT AND I/H SECTIONS INCLUDED ON TABLES 2, 26, 27 AND 31									
B	I/H, TUBULAR AND T/WT SECTIONS UPDATED									
C	ANNEX INCLUDED - REVISED ACCORDING CLARIFICATION NOTICE DUE TO BIDDERS QUESTIONS									
D	PLATE THICKNESSES AND I/H, T / WT AND TUBULAR SECTIONS UPDATED									
E	I/H, ANGLE BAR, TUBULAR AND T/WT SECTIONS UPDATED									
	REV. 0	REV. A	REV. B	REV. C	REV. D	REV. E	REV. F	REV. G	REV. H	
DATE	AUG/21/19	MAY/31/19	JUL/17/20	SEP/18/20	MAR/15/21	OCT/19/22				
DESIGN	EGEO	EGEO	EGEO	ENG	ENG	ENE				
EXECUTION	BGWA	BGWA	BGWA	BGWA	BGWA	E2A7				
CHECK	B38L	B38L	B38L	E2AP	B3NE	B3NE				
APPROVAL	SG04	SG04	SG04	CYEL	CYEL	CYEL				
THE INFORMATION CONTAINED IN THIS DOCUMENT IS PETROBRAS PROPERTY AND MAY NOT BE USED FOR PURPOSES OTHER THAN THOSE SPECIFICALLY INDICATED HEREIN..										
THIS FORM IS PART OF PETROBRAS N-381 REV. L.										

TABLE OF CONTENTS

1.	MAIN OBJECTIVE	3
2.	REFERENCES	3
3.	GLOSSARY	4
4.	TABLES OF STRUCTURAL PLATES AND PROFILES	6
4.1.	STANDARD NOMENCLATURE	6
4.2.	PLATES	6
4.3.	STRUCTURAL PROFILES.....	7
4.3.1.	I / H PROFILE.....	7
4.3.1.1.	Welded I / H profiles (BR sections)	8
4.3.1.2.	W / HP	10
4.3.1.3.	VS type	14
4.3.1.4.	CVS type	19
4.3.1.5.	CS type.....	23
4.3.2.	ANGLE BAR	27
4.3.3.	CHANNEL BAR	30
4.3.4.	TUBULAR PROFILE	32
4.3.5.	T / WT PROFILE.....	39
4.3.6.	SQUARE BAR.....	44
4.3.7.	FLAT BAR	46
4.3.8.	ROUND BAR.....	50
ANNEX		53

	TECHNICAL SPECIFICATION	Nº I-ET-3010.00-1400-140-P4X-001	REV. E
	AREA:	SHEET 3 of 53	
	TITLE:	STRUCTURE PLATES AND PROFILES CATALOGUE	INTERNAL

1. MAIN OBJECTIVE

This document aims to list and organize the structural steel plates and profiles based on standards, supplier catalogs and past projects to be used in the design of steel structures of floating or fixed platform's topside.

In the listed tables are presented some information of the sections that are usually required for structural dimensioning and material list such as dimensions, geometric properties, unit weight and painting area.


For structural profiles, the tables presented are oriented according to the type of section and standard nomenclature reported in the reference catalogs, if any, and cover the following sections:

- I. I / H profile
 - a. I / H welded (BR sections)
 - b. W / HP
 - c. VS type
 - d. CVS type
 - e. CS type
- II. Angle bar
- III. Channel bar
- IV. Tubular profile
- V. T / WT profile
- VI. Square bar
- VII. Flat bar
- VIII. Round bar

Finally, standardized nomenclatures are presented for use in structural analysis software, following requirements compatible with the computational language and restrictions of the commonly used softwares.

2. REFERENCES

- [1] ABNT NBR 5884:2013 – Perfil I estrutural de aço soldado por arco elétrico – Requisitos gerais
- [2] ABNT NBR 15980:2020 – Perfis laminados de aço para uso estrutural – Dimensões e tolerâncias
- [3] Catálogo Barras e perfis Gerdau
- [4] Catálogo Perfis Estruturais Gerdau - Tabela de bitolas
- [5] Catálogo Tubos Estruturais Vallourec – Seção Circular, Quadrada e Retangular
- [6] Catálogo de Aços Planos – Comercial Gerdau

	TECHNICAL SPECIFICATION	Nº I-ET-3010.00-1400-140-P4X-001	REV. E
	AREA:	SHEET 4 of 53	
	TITLE:	STRUCTURE PLATES AND PROFILES CATALOGUE	INTERNAL

3. GLOSSARY

- **Angle bar**

Rolled bar with a cross section in the form of a L;

- **Channel bar**

Rolled bar with a cross section in the form of an U;

- **Flange**

Horizontal elements which compose a structural section and are responsible for resist most of the bending moment experienced by a linear structural element;

- **Flat bar**

Rolled bar with rectangular cross section;

- **HP profile**

H profile with double-symmetry and parallels flanges with the same thickness of the web element;

- **Rolling**

Metal forming process in which metal stock is passed through one or more pairs of rolls to reduce the thickness and to make the thickness uniform;

- **Round bar**

Rolled bar with circular cross section;

- **Square bar**

Rolled bar with square cross section;

- **T profile**

Monosymmetry profile composed by one flange and one web;

- **W profile**

I and H profiles with double-symmetry and parallels flanges in which are thicker than web element;

- **Web**

Vertical element which compose a structural section and is responsible for mainly resists shear forces;

- **Welded I/H profile**

Structural element composed by three steel shapes joined through electric arc welding, forming approximately an I or H;

- **WT profile**

T profile obtained from the mid-depth cut of W or HP sections;

- **Symbols**

b_f / b – flange width

C_w – warping constant

d – section diameter or height

H – flexural constant

I_x – moment of inertia of the section about its major axis

I_y – moment of inertia of the section about its minor axis
 J – torsional moment of inertia
 Q – first moment of area
 Q_f – first moment of area at point of intersection between web and flange
 Q_w – first moment of area at mid-depth of the section
 R_0 – polar radius of gyration
 R_p – radius of gyration about the principal axis
 R_x – radius of gyration about the major axis
 R_y – radius of gyration about the minor axis
 S_w – warping statical moment
 t – plate thickness
 t_f – flange thickness
 t_w – web thickness
 U – painting area
 W_{n0} – normalized warping function
 W_x – elastic section modulus about the major axis
 W_y – elastic section modulus about the minor axis
 X_g – position of centroid on X axis
 X_p – horizontal distance from designated member edge to plastic neutral axis
 Y_g – position of centroid on Y axis
 Y_p – vertical distance from designated member edge to plastic neutral axis
 Z_x – plastic section modulus about the major axis
 Z_y – plastic section modulus about the minor axis

4. TABLES OF STRUCTURAL PLATES AND PROFILES

The lists of structural plates and profiles with their main properties and standardized names for insertion in structural analysis software are presented hereinafter.

4.1. STANDARD NOMENCLATURE

The structure of the standard nomenclature was established in order to enable its using in a clear and comprehensive way to any FEM software. Therefore, it obeys the following rule::

XAAAA-N, where:

X – Incicates the type of structural profile or plate

A – Approximate profile height or plate thickness in millimeters

N – Sequential number to distinguish section names with same height or thickness

4.2. PLATES

Plates thicknesses are standardized according with Catálogo de Aços Planos – Comercial Gerdau [6] and good engineering practices and are presented in Table 1 .

Table 1 – Plates

Name		Thickness (mm)	
Original	FEM softwares	t	kg/m ²
Plate 6.3 mm	A6	6.3	49.39
Plate 8 mm	A8	8	62.72
Plate 9.5 mm	A9	9.5	74.48
Plate 12.5 mm	A12	12.5	98.00
Plate 16 mm	A16	16	125.44
Plate 19 mm	A19	19	148.96
Plate 22.4 mm	A22	22.4	175.62
Plate 25 mm	A25	25	196.00
Plate 28 mm	A28	28	219.52
Plate 31.5 mm	A31	31.5	246.96
Plate 37.5 mm	A37	37.5	294.00
Plate 44.5 mm	A44	44.5	348.88
Plate 50 mm	A50	50	392.00
Plate 63 mm	A63	63	493.92
Plate 75 mm	A75	75	588.00
Plate 88.9 mm	A89	88.9	696.98
Plate 100 mm	A99	100	784.00

4.3. STRUCTURAL PROFILES

4.3.1. I / H PROFILE

I / H profiles are obtained from three different references as described in sections 4.3.1.1 to 4.3.1.5, and their dimensions are according to the follow cross section:

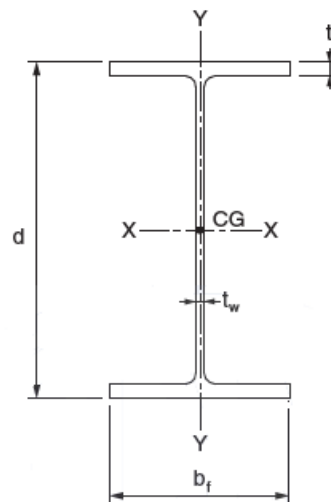


Figure 1 – I / H profile

4.3.1.1. Welded I / H profiles (BR sections)

I / H profiles generated from welded plates with standardized thicknesses and greater dimensions which are not listed in any supplier catalog. Table 2 and Table 3 was based on a compilation among process modules projects of Petrobras Platforms and good engineering practices.

Table 2 – Properties and dimensions of welded I / H profiles (1/2)

Nome	Dimensions (mm)										X axis										Y axis									
	Original	FEM softwares	b _f	t _f	d	t _w	kg/m	Area (cm ²)	I _x (cm ⁴)	W _x (cm ³)	Z _x (cm ³)	r _x (cm)	I _y (cm ⁴)	W _y (cm ³)	Z _y (cm ³)	r _y (cm)	J (cm ⁶)	C _w (cm ⁶)	Q _w (cm ³)	u (m ² /m)										
1200x22	1200.1	100	8	200	6.3	21.7	27.59	1802	180.2	206.9	8.08	134	26.7	41.8	2.20	5.0	12323	103	0.79											
1200x38	1200.2	150	12.5	200	6.3	38.1	48.53	3582	358.2	399.8	8.59	703	93.8	142.4	3.81	21.1	61830	200	0.99											
1300x47	1300.1	150	12.5	300	8	46.7	59.50	9140	609.4	690.3	12.39	704	93.9	145.0	3.44	24.4	145337	345	1.18											
1300x55	1300.2	150	16	300	8	54.5	69.44	10972	731.5	825.2	12.57	901	120.2	184.3	3.60	45.8	181707	413	1.18											
1300x104	1300.3	150	24	300	24	104.0	132.48	16947	1129.8	1374.6	11.31	1379	183.9	306.3	3.23	265.4	262623	687	1.15											
1350x46	1350.1	130	12.5	350	8	45.9	58.50	11548	659.9	759.7	14.05	459	70.6	110.8	2.80	22.7	130734	380	1.20											
1350x65	1350.2	225	12.5	350	8	64.6	82.25	18314	1046.5	1160.5	14.92	2374	211.1	321.6	5.37	35.1	676157	580	1.58											
1350x100	1350.3	320	16	350	8	100.4	127.84	30724	1755.7	1912.3	15.50	8739	546.2	824.3	8.27	93.1	2437356	956	1.96											
1400x68	1400.1	225	12.5	400	8	67.7	86.25	24639	1231.9	1371.1	16.90	2375	211.1	322.4	5.25	35.9	891420	686	1.68											
1400x86	1400.2	250	16	400	8	85.9	109.44	32831	1641.5	1806.8	17.32	4168	333.5	505.9	6.17	74.8	1536579	903	1.78											
1400x112	1400.3	300	19	400	8	112.2	142.96	44568	2228.4	2433.8	17.66	8552	570.1	860.8	7.73	143.7	3103377	1217	1.98											
1450x122	1450.1	275	22.4	450	8	122.2	155.62	60802	2702.3	2962.4	19.77	7766	564.8	853.5	7.06	113.4	3549825	1481	1.98											
1500x80	1500.1	200	16	500	8	79.6	101.44	44328	1773.1	1986.8	20.90	2135	213.5	327.5	4.59	62.9	1250535	993	1.78											
1500x98	1500.2	250	16	500	9.5	97.7	124.46	54983	2199.3	2456.2	21.02	4170	333.6	510.6	5.79	82.1	2442125	1228	1.98											
1500x124	1500.3	300	19	500	9.5	123.9	157.89	73779	2951.2	3248.6	21.62	8553	570.2	865.4	7.36	150.9	4947251	1624	2.18											
1500x135	1500.4	300	19	500	12.5	134.8	171.75	76244	3049.8	3408.7	21.07	8558	570.5	873.0	7.06	168.5	4949691	1704	2.18											
1600x102	1600.1	225	19	600	8	102.4	130.46	84013	2800.4	3115.5	25.38	3609	320.8	489.9	5.26	112.8	3046006	1558	2.08											
1600x130	1600.2	250	19	600	12.5	129.7	165.25	98689	3289.6	3746.8	24.44	4957	396.6	615.7	5.48	152.1	4183279	1873	2.18											
1600x162	1600.3	275	25	600	12.5	161.9	206.25	131055	4368.5	4898.4	25.21	8674	630.9	966.8	6.49	323.9	7169865	2449	2.28											
1600x201	1600.4	300	31.5	600	12.5	201.1	256.13	168995	5633.2	6273.5	25.69	14184	945.6	1438.5	7.44	662.1	11460187	3137	2.38											
1700x154	1700.1	320	22.4	700	8	153.7	195.78	183368	5239.1	5715.6	30.60	12236	764.8	1157.4	7.91	251.3	14045356	2858	2.66											
1700x189	1700.2	320	25	700	12.5	189.4	241.25	210940	6026.9	6720.3	29.57	13664	854.0	1305.4	7.53	377.3	15564051	3360	2.66											
1800x173	1800.1	320	25	800	8	172.7	220.00	268458	6711.5	7325.0	34.93	13657	853.5	1292.0	7.88	346.6	20506138	3663	2.86											
1800x199	1800.2	320	25	800	12.5	199.2	253.75	284279	7107.0	7957.8	33.47	13666	854.1	1309.3	7.34	383.8	20519663	3979	2.86											
11000x195	11000.1	400	16	1000	12.5	195.5	249.00	404352	8087.0	9225.8	40.30	17082	854.1	1317.8	8.28	173.3	41350394	4613	3.58											
11000x270	11000.2	450	25	1000	12.5	269.8	343.75	624154	12483.1	13789.1	42.61	37984	1688.2	2568.4	10.51	532.2	90271854	6895	3.78											
11000x316	11000.3	500	25	1000	16	315.6	402.00	708588	14171.8	15797.5	41.98	52116	2084.6	3185.8	11.39	654.0	123856361	7899	3.97											
11000x339	11000.4	500	31.5	1000	12.5	339.2	432.13	824623	16492.5	17997.5	43.68	65640	2625.6	3974.1	12.32	1104.9	153925116	8999	3.98											
11000x352	11000.5	400	37.5	1000	16	351.7	448.00	800683	16013.7	17860.0	42.28	40032	2001.6	3059.2	9.45	1537.7	92713749	8930	3.57											
11000x411	11000.6	500	37.5	1000	16	410.6	523.00	974472	19489.4	21469.4	43.17	78157	3126.3	4746.7	12.22	1889.2	18101845	10735	3.97											
11000x528	11000.7	500	44.5	1000	25	528.1	672.75	1173937	23478.7	26446.9	41.77	92827	3713.1	5704.8	11.75	3435.0	211872937	13223	3.95											
11000x387	11000.8	450	31.5	1000	22.4	387.3	493.39	818599	16372.0	18645.1	40.73	47928	2130.2	3306.9	9.86	1300.5	112391137	9323	3.76											
11000x446	11000.9	450	37.5	1000	25	446.5	568.75	946937	18938.7	21589.8	40.80	57074	2536.6	3941.4	10.02	2083.3	132183275	10795	3.75											
1200x353	1200.1	400	23	1200	23	352.8	449.42	931886	15531.4	18485.8	45.54	24650	1232.5	1992.6	7.41	801.8	85372075	9243	3.95											
11500x473	11500.1	500	37.5	1500	16	473.4	603.00	2391483	31886.4	35544.4	62.98	78174	3126.9	4778.7	11.39	1957.5	418015218	17772	4.97											
11500x597	11500.2	500	44.5	1500	22.4	597.4	761.06	2881926	38425.7	43534.0	61.54	92840	3713.6	5739.5	11.04	3482.7	491701862	21767	4.96											
11500x817	11500.3	600	50	1500	31.5	817.2	1041.00	3875300	51670.7	58935.0	61.01	180365	6012.2	9343.2	13.16	6510.7	948041701	29468	5.34											
11500x935	11500.4	750	50	1500	31.5	934.9	1191.00	4664050	62187.3	69810.0	62.58	351927	9384.7	14409.8	17.19	7760.7	1849817092	34905	5.94											

AREA:

SHEET

9 of 53

TITLE:

STRUCTURE PLATES AND PROFILES CATALOGUE

INTERNAL

ESUP

Table 3 – Properties and dimensions of welded I / H profiles (2/2)

Nome	Dimensions (mm)										X axis										Y axis									
	Original	FEM softwares	b _f	t _f	d	t _w	kg/m	Area (cm ²)	I _x (cm ⁴)	W _x (cm ³)	Z _x (cm ³)	r _x (cm)	I _y (cm ⁴)	W _y (cm ³)	Z _y (cm ³)	r _y (cm)	J (cm ⁴)	C _w (cm ⁶)	Q _w (cm ³)	u (m ² /m)										
H1500x974			800	50	1500	31.5	974.2	1241.00	4926967	65692.9	73435.0	63.01	427031	10675.8	16347.3	18.55	8177.4	2244583368	36718	6.14										
H150x22			150	6.3	150	6.3	21.6	27.56	1113	148.3	165.5	6.35	355	47.3	72.2	3.59	3.7	18309	83	0.89										
H150x31			150	9.5	150	8	30.6	38.98	1559	207.8	234.5	6.32	535	71.3	109.0	3.70	11.0	26399	117	0.88										
H300x76			300	12.5	300	8	76.1	97.00	16894	1126.3	1229.4	13.20	5626	375.1	566.9	7.62	44.0	1162596	615	1.78										
H300x92			300	16	300	8	92.2	117.44	20661	1377.4	1506.8	13.26	7201	480.1	724.3	7.83	86.8	1452039	753	1.78										
H350x119			350	16	350	12.5	119.1	151.75	34609	1977.7	2186.4	15.10	11439	653.6	992.4	8.68	117.3	3190086	1093	2.08										
H400x146			400	19	400	9.5	146.3	186.39	58962	2948.1	3206.8	17.79	20269	1013.5	1528.2	10.43	193.8	7355763	1603	2.38										
H400x201			400	25	400	16	201.0	256.00	76133	3806.7	4240.0	17.25	26679	1333.9	2022.4	10.21	467.9	9379200	2120	2.37										
H400x276			400	37.5	400	16	276.3	352.00	103483	5174.2	5860.0	17.15	40011	2000.6	3020.8	10.66	1455.7	13144269	2930	2.37										
H400x388			400	50	400	31.5	388.2	494.50	130421	6521.0	7708.8	16.24	53411	2670.6	4074.4	10.39	3698.0	16357264	3854	2.34										
H450x260			450	31.5	450	12.5	260.5	331.88	130404	5795.7	6400.3	19.82	47847	2126.5	3204.5	12.01	964.9	20950045	3200	2.68										
H450x312			450	37.5	450	16	312.0	397.50	150996	6710.9	7523.4	19.49	56966	2531.8	3820.9	11.97	1638.4	24232770	3762	2.67										
H450x368			450	44.5	450	19	368.2	469.09	172746	7677.6	8739.2	19.19	67605	3004.7	4538.2	12.00	2736.3	27790771	4370	2.66										
H500x302			500	31.5	500	16	302.2	384.92	184238	7369.5	8142.8	21.88	65640	2625.6	3965.5	13.06	1105.8	36018632	4071	2.97										
H500x348			500	37.5	500	16	347.8	443.00	211212	8448.5	9394.4	21.84	78140	3125.6	4714.7	13.28	1821.0	41786322	4697	2.97										
H500x411			500	44.5	500	19	410.6	523.09	242549	9701.9	10937.2	21.53	92732	3709.3	5599.6	13.31	3041.5	48100056	5469	2.96										
H500x452			500	50	500	19	452.2	576.00	264300	10572.0	12010.0	21.42	104190	4167.6	6286.1	13.45	4269.6	52745950	6005	2.96										
H550x383			550	37.5	550	16	383.5	488.50	285637	10386.8	11472.8	24.18	104001	3781.8	5702.3	14.59	2003.6	68291011	5736	3.27										
H550x453			550	44.5	550	19	453.0	577.09	329025	11964.6	13381.6	23.88	123421	4488.0	6772.2	14.62	3346.7	78844588	6691	3.26										
H550x499			550	50	550	19	498.9	635.50	359324	13066.3	14711.9	23.78	138672	5042.6	7603.1	14.77	4697.7	86669722	7356	3.26										
H600x495			600	44.5	600	19	495.4	631.09	433963	14465.4	16072.2	26.22	160229	5341.0	8056.1	15.93	3651.9	123608923	8036	3.56										
H600x546			600	50	600	19	545.6	695.00	474792	15826.4	17687.5	26.14	180029	6001.0	9045.1	16.09	5125.7	136146613	8844	3.56										
H600x667			600	50	600	50	667.3	850.00	507083	16902.8	19625.0	24.42	180521	6017.4	9312.5	14.57	7291.7	136518880	9813	3.50										
H650x619			650	44.5	650	37.5	619.3	788.88	586368	18042.1	20464.6	27.26	203927	6274.7	9597.9	16.08	4882.9	186914281	10232	3.83										
H650x726			650	50	650	50	726.1	925.00	655677	20174.7	23281.3	26.62	229427	7059.3	10906.3	15.75	7916.7	206484375	11641	3.80										

4.3.1.2.W / HP

Rolled profiles from Catálogo Perfis Estruturais Gerdau - Tabela de bitolas [4] and ABNT NBR 15980:2011 [2] and cover a range of height from 148mm to 628mm. Table 4 to Table 7 present their properties and dimensions.

Table 4 – Properties and dimensions of welded W / HP profiles (1/4)

Name	Dimensions (mm)										X axis										Y axis									
	Original	FEM softwares	b _r	t _r	d	t _w	kg/m	Area (cm ²)	I _x (cm ⁴)	W _x (cm ²)	Z _x (cm ²)	r _x (cm)	I _y (cm ⁴)	W _y (cm ²)	Z _y (cm ²)	r _y (cm)	J (cm ⁴)	C _w (cm ⁵)	Q _w (cm ²)	u (m ² /m)										
W150x13	W150-1		100	4,9	148	4,3	13,0	15,74	596	80,6	90,7	6,16	82	16,4	25,1	2,28	1,2	4186	45	0,69										
W150x13,5	W150-2		100	5,5	150	4,3	13,5	16,98	671	89,4	100,2	6,29	92	18,4	28,1	2,32	1,5	4790	50	0,69										
W150x18	W150-3		102	7,1	153	5,8	18,0	22,53	901	117,7	133,6	6,32	126	24,7	38,1	2,36	3,4	6695	67	0,70										
W150x22,5	W150-4		152	6,6	152	5,8	22,5	28,11	1190	156,6	173,8	6,51	387	50,9	77,4	3,71	3,9	20429	87	0,90										
W150x24	W150-5		102	10,3	160	6,6	24,0	30,21	1328	166,0	189,3	6,63	183	35,8	55,1	2,46	8,9	10225	95	0,71										
W150x29,8	W150-6		153	9,3	157	6,6	29,8	37,59	1700	216,5	241,8	6,72	555	72,6	110,4	3,84	9,6	30295	121	0,91										
W150x37,1	W150-7		154	11,6	162	8,1	37,1	46,97	2205	272,2	307,7	6,85	707	91,8	139,8	3,88	18,7	39965	154	0,92										
W200x19,3	W200-2		102	6,5	203	5,8	19,3	24,28	1612	158,8	182,6	8,15	115	22,6	35,4	2,18	3,1	11127	91	0,80										
W200x22,5	W200-3		102	8	206	6,2	22,5	28,10	1955	189,8	217,5	8,34	142	27,8	43,4	2,25	5,1	13905	109	0,81										
W200x26,6	W200-4		133	8,4	207	5,8	26,6	33,38	2537	245,1	274,3	8,72	330	49,6	75,9	3,14	6,5	32508	137	0,93										
W200x31,3	W200-5		134	10,2	210	6,4	31,3	39,47	3094	294,7	330,6	8,85	409	61,1	93,5	3,22	11,2	40863	165	0,94										
W200x35,9	W200-6		165	10,2	201	6,2	35,9	44,86	3371	335,4	371,7	8,67	764	92,6	140,6	4,13	13,2	69535	186	1,05										
W200x41,7	W200-7		166	11,8	205	7,2	41,7	52,24	4018	392,0	437,7	8,77	900	108,5	164,9	4,15	20,6	84000	219	1,06										
W200x46,1	W200-8		203	11	203	7,2	46,1	57,69	4476	441,0	487,7	8,81	1594	151,2	229,0	5,16	20,4	141394	244	1,20										
W200x52	W200-9		204	12,6	206	7,9	52,0	65,69	5203	505,1	561,7	8,90	1784	174,9	265,0	5,21	30,4	166780	281	1,21										
W200x59	W200-10		205	14,2	210	9,1	59,0	74,75	6044	575,6	645,0	8,99	2040	199,0	302,1	5,22	44,0	195527	323	1,22										
W200x71	W200-11		206	17,4	216	10,2	71,0	90,17	7593	703,0	795,6	9,18	2537	246,3	373,9	5,30	79,4	250134	398	1,24										
W200x86	W200-12		209	20,6	222	13	86,0	109,61	9402	847,1	973,3	9,26	3198	300,3	457,6	5,35	136,6	318179	487	1,25										
W200x100	W200-13		210	23,7	229	14,5	100,0	125,87	11259	983,3	1141,3	9,46	3663	348,8	532,1	5,39	207,2	385940	571	1,27										
W250x17,9	W250-1		101	5,3	251	4,8	17,9	22,25	2172	175,0	200,9	9,88	91	18,1	28,4	2,03	1,9	13769	100	0,90										
W250x22,3	W250-2		102	6,9	254	5,8	22,3	28,01	2819	222,0	257,6	10,03	122	24,0	37,9	2,09	3,8	18688	129	0,90										
W250x25,3	W250-3		102	8,4	257	6,1	25,3	31,79	3353	260,9	301,0	10,27	149	29,2	45,9	2,17	5,9	23025	150	0,91										
W250x28,4	W250-4		102	10	260	6,4	28,4	35,76	3926	302,0	347,2	10,48	177	34,8	54,5	2,23	9,0	27718	174	0,92										
W250x32,7	W250-5		146	9,1	258	6,1	32,7	41,20	4818	375,5	418,4	10,81	472	64,7	99,2	3,39	9,2	73174	209	1,09										
W250x38,5	W250-6		147	11,2	262	6,6	38,5	48,74	5938	453,3	507,6	11,04	594	80,8	123,6	3,49	16,2	93333	254	1,10										
W250x44,8	W250-7		148	13	266	7,6	44,8	56,72	7039	529,2	596,2	11,14	703	95,0	145,8	3,52	25,4	112538	298	1,11										
W250x49,1	W250-8		202	11	247	7,4	49,1	61,09	6895	558,3	618,0	10,62	1512	149,7	227,5	4,97	21,1	210512	309	1,29										
W250x58	W250-9		203	13,5	252	8	58,0	72,81	8562	679,5	754,9	10,84	1883	185,5	281,8	5,09	37,4	267799	377	1,30										
W250x67	W250-10		204	15,7	257	8,9	67,0	84,13	10189	792,9	886,1	11,00	2223	217,9	331,2	5,14	58,3	323558	443	1,31										
W250x73	W250-11		254	14,2	253	8,6	73,0	91,45	11108	878,1	969,8	11,02	3879	305,5	462,2	6,51	55,3	553070	485	1,50										
W250x80	W250-12		255	15,6	256	9,4	80,0	100,69	12401	968,8	1075,1	11,10	4313	338,3	512,2	6,54	71,2	623103	538	1,51										
W250x89	W250-13		256	17,3	260	10,7	89,0	112,69	14087	1083,6	1210,8	11,18	4840	378,1	573,3	6,55	98,3	712690	605	1,52										
W250x101	W250-14		257	19,6	264	11,9	101,0	127,50	16203	1227,5	1381,4	11,27	5548	431,8	655,2	6,60	142,7	828502	691	1,53										
W250x115	W250-15		259	22,1	269	13,5	115,0	144,83	18771	1395,6	1583,8	11,38	6404	494,5	751,5	6,65	206,6	975967	792	1,55										
W250x131	W250-16		261	25,1	275	15,4	131,0	165,64	21983	1598,7	1831,7	11,52	7445	570,5	868,2	6,70	305,6	1162294	916	1,56										
W250x149	W250-17		263	28,4	282	17,3	149,0	188,34	25765	1827,3	2113,5	11,70	8620	655,5	999,0	6,77	445,4	1385998	1057	1,58										
W250x167	W250-18		265	31,8	289	19,2	167,0	211,82	29847	2065,6	2411,3	11,87	9876	745,4	1137,4	6,83	628,8	1633354	1206	1,60										
W310x21	W310-1		101	5,7	303	5,1	21,0	26,39	3598	237,5	279,6	11,68	98	19,4	31,0	1,93	2,6	21699	140	1,00										

Table 5 – Properties and dimensions of welded W / HP profiles (2/4)

Name	Dimensions (mm)										X axis										Y axis									
	Original	FEM softwares	b _r	t _r	d	t _w	kg/m	Area (cm ²)	I _x (cm ⁴)	W _x (cm ²)	Z _x (cm ³)	r _x (cm)	I _y (cm ⁴)	W _y (cm ²)	Z _y (cm ³)	r _y (cm)	J (cm ⁴)	C _w (cm ⁵)	Q _w (cm ³)	u (m ² /m)										
W310x23.8	W310-2		101	6.7	305	5.6	23.8	29.86	4168	273.3	320.9	11.81	115	22.9	36.5	1.97	3.8	25689	160	1.00										
W310x28.3	W310-3		102	8.9	309	6	28.3	35.63	5324	344.6	399.6	12.22	158	31.0	48.9	2.11	7.0	35559	200	1.01										
W310x32.7	W310-4		102	10.8	313	6.6	32.7	41.26	6393	408.5	473.0	12.45	192	37.6	59.4	2.16	11.5	43771	237	1.02										
W310x38.7	W310-5		165	9.7	310	5.8	38.7	48.86	8405	542.3	603.1	13.12	727	88.1	134.5	3.86	12.0	163835	302	1.27										
W310x44.5	W310-6		166	11.2	313	6.6	44.5	56.36	9821	627.5	700.4	13.20	855	103.0	157.5	3.89	18.4	194591	350	1.28										
W310x52	W310-7		167	13.2	317	7.6	52.0	66.17	11733	740.3	830.1	13.32	1026	122.8	188.3	3.94	30.1	236667	415	1.29										
W310x60	W310-8		203	13.1	303	7.5	60.0	73.95	12508	825.6	914.6	13.01	1827	180.0	273.8	4.97	34.5	383951	457	1.40										
W310x67	W310-9		204	14.6	306	8.5	67.0	83.10	14158	925.4	1030.7	13.05	2067	202.7	308.8	4.99	48.3	438843	515	1.41										
W310x74	W310-10		205	16.3	310	9.4	74.0	92.91	16099	1038.6	1162.2	13.16	2342	228.5	348.6	5.02	67.3	505129	581	1.42										
W310x86	W310-11		254	14.6	306	8.8	79.0	108.05	19494	1257.7	1391.0	13.43	4454	350.7	531.5	6.42	80.7	960407	696	1.62										
W310x97	W310-12		254	16.3	310	9.1	86.0	108.05	19494	1257.7	1391.0	13.43	4454	350.7	531.5	6.42	80.7	960407	696	1.62										
W310x86	W310-13		305	15.4	308	9.9	97.0	121.38	21882	1420.9	1564.5	13.43	7285	477.7	723.1	7.75	83.7	1559162	782	1.82										
W310x107	W310-14		306	17	311	10.9	107.0	134.23	24438	1571.6	1738.5	13.49	8121	530.8	804.1	7.78	112.9	1754917	869	1.82										
W310x117	W310-15		307	18.7	314	11.9	117.0	147.73	27163	1730.1	1922.9	13.56	9022	587.7	891.0	7.81	150.4	1966796	961	1.83										
W310x129	W310-16		308	20.6	318	13.1	129.0	163.16	30419	1913.1	2137.9	13.65	10037	651.7	989.0	7.84	201.8	2219292	1069	1.84										
W310x143	W310-17		309	22.9	323	14	143.0	180.33	34411	2130.7	2392.5	13.81	11267	729.2	1106.8	7.90	274.8	2536741	1196	1.85										
W310x158	W310-18		310	25.1	327	15.5	158.0	198.52	38280	2341.3	2646.0	13.89	12471	804.6	1222.7	7.93	364.3	2841666	1323	1.86										
W310x179	W310-19		313	28.1	333	18	179.0	225.73	44179	2653.4	3026.5	13.99	14375	918.5	1398.9	7.98	522.3	3340793	1513	1.88										
W310x202	W310-20		315	31.8	341	20.1	202.0	256.10	51628	3028.0	3483.9	14.20	16584	1053.0	1605.7	8.05	759.0	3963861	1742	1.90										
W310x226	W310-21		317	35.6	348	22.1	226.0	286.88	59212	3403.0	3948.8	14.37	18926	1194.0	1822.5	8.12	1065.9	4617536	1974	1.92										
W310x253	W310-22		319	39.6	356	24.4	253.0	320.19	67873	3813.1	4464.3	14.56	21458	1345.3	2056.1	8.19	1475.9	5370413	2232	1.94										
W310x283	W310-23		322	44.1	365	26.9	283.0	358.46	78329	4292.0	5072.1	14.78	24584	1526.9	2336.3	8.28	2049.3	6328901	2536	1.96										
W310x313	W310-24		325	48.3	374	30	313.0	397.17	89207	4770.4	5689.8	14.99	27697	1704.4	2613.3	8.35	2734.5	7345160	2845	1.99										
W310x342	W310-25		328	52.6	382	32.6	342.0	435.29	100157	5243.8	6307.5	15.17	31015	1891.2	2903.0	8.44	3562.7	8413248	3154	2.01										
W310x375	W310-26		330	57.2	391	35.4	375.0	475.44	112433	5751.0	6977.9	15.38	34362	2082.6	3201.2	8.50	4610.9	9571799	3489	2.03										
W310x415	W310-27		334	62.7	403	38.9	415.0	526.82	129564	6430.0	7875.9	15.68	39073	2339.7	3602.3	8.61	6156.3	11311906	3938	2.06										
W310x454	W310-28		336	68.7	415	41.3	454.0	576.31	147589	7112.7	8789.4	16.00	43596	2595.0	3996.4	8.70	8076.2	13070576	4395	2.09										
W360x32.9	W360-1		127	8.5	349	5.8	32.9	40.85	8028	460.1	527.4	14.02	291	45.8	71.3	2.67	7.4	84268	264	1.19										
W360x39	W360-2		128	10.7	353	6.5	39.0	48.95	10001	566.7	647.5	14.29	375	58.6	91.2	2.77	13.6	109773	324	1.21										
W360x44.6	W360-3		171	9.8	352	6.9	44.6	56.45	11926	677.6	764.1	14.54	818	95.6	147.2	3.81	14.5	239357	382	1.37										
W360x51	W360-4		171	11.6	355	7.2	51.0	63.56	13892	782.6	879.3	14.78	968	113.2	173.9	3.90	22.1	285298	440	1.38										
W360x58	W360-5		172	13.1	358	7.9	58.0	71.28	15813	883.4	994.6	14.89	1112	129.3	199.0	3.95	31.4	330799	497	1.39										
W360x64	W360-6		203	13.5	347	7.7	64.0	79.45	17351	1000.1	1111.1	14.78	1883	185.6	282.9	4.87	38.4	523701	556	1.49										
W360x72	W360-7		204	15.1	350	8.6	72.0	89.11	19630	1121.7	1251.5	14.84	2138	209.6	320.1	4.90	53.9	599558	626	1.50										
W360x79	W360-8		205	16.8	354	9.4	79.0	99.00	22172	1252.7	1402.6	14.97	2414	235.9	360.1	4.94	74.1	686331	701	1.51										
W360x91	W360-9		254	16.4	353	9.5	91.0	113.73	26216	1485.3	1645.6	15.18	4481	352.9	536.3	6.28	84.3	1269357	823	1.70										
W360x101	W360-10		255	18.3	357	10.5	101.0	126.97	29671	1662.2	1850.0	15.29	5060	396.9	603.8	6.31	117.3	1451296	925	1.71										
W360x110	W360-11		256	19.9	360	11.4	110.0	138.39	32615	1812.0	2024.8	15.35	5568	435.0	662.5	6.34	151.3	1610213	1012	1.72										
W360x122	W360-12		257	21.7	363	13	122.0	153.09	36062	1986.9	2235.4	15.35	6145	478.2	730.1	6.34	200.1	1789510	1118	1.73										

Table 6 – Properties and dimensions of welded W / HP profiles (3/4)

Name	Dimensions (mm)										X axis										Y axis									
	Original	FEM softwares	b _t	t _t	d	t _w	kg/m	Area (cm ²)	I _x (cm ⁴)	W _x (cm ²)	Z _x (cm ²)	r _x (cm)	I _y (cm ⁴)	W _y (cm ²)	Z _y (cm ²)	r _y (cm)	J (cm ⁴)	C _w (cm ⁵)	Q _w (cm ³)	u (m ² /m)										
W410x38.8	W410-1		140	8,8	399	6,4	38,8	49,05	12340	618,5	713,5	15,86	403	57,6	90,1	2,87	9,8	153507	357	1,35										
W410x46.1	W410-2		140	11,2	403	7	46,1	58,00	15254	757,0	867,8	16,22	513	73,3	114,4	2,97	17,6	196989	434	1,35										
W410x53	W410-3		177	10,9	403	7,5	53,0	67,18	18297	908,0	1028,9	16,50	1009	114,0	176,1	3,88	20,8	387709	514	1,50										
W410x60	W410-4		178	12,8	407	7,7	60,0	74,94	21269	1045,1	1178,2	16,85	1205	135,3	208,4	4,01	30,9	467967	589	1,51										
W410x67	W410-5		179	14,4	410	8,8	67,0	85,10	24241	1182,5	1339,4	16,88	1379	154,0	238,1	4,03	44,6	539393	670	1,52										
W410x75	W410-6		180	16	413	9,7	75,0	94,56	27179	1316,2	1495,4	16,95	1558	173,1	268,2	4,06	61,2	613926	748	1,53										
W410x85	W410-7		181	18,2	417	10,9	85,0	107,37	31222	1497,4	1708,5	17,05	1803	199,2	309,4	4,10	90,0	716798	854	1,54										
W410x100	W410-8		260	16,9	415	10	100,0	126,00	39456	1901,5	2112,5	17,70	4954	381,1	580,8	6,27	96,9	1962720	1056	1,85										
W410x114	W410-9		261	19,3	420	11,6	114,0	144,99	45834	2182,6	2440,3	17,78	5724	438,6	670,2	6,28	145,9	2297645	1220	1,86										
W410x132	W410-10		263	22,2	425	13,3	132,0	167,39	53523	2518,8	2833,4	17,88	6738	512,4	784,6	6,34	223,4	2733185	1417	1,88										
W410x149	W410-11		265	25	431	14,9	149,0	189,27	61538	2855,6	3230,5	18,03	7765	586,0	899,0	6,40	320,8	3199678	1615	1,89										
W460x52	W460-1		152	10,8	450	7,6	52,0	65,39	20816	925,1	1069,7	17,84	634	83,4	130,9	3,11	19,2	305593	535	1,49										
W460x60	W460-2		153	13,3	455	8	60,0	74,97	25098	1103,2	1265,9	18,30	796	104,0	162,5	3,26	31,5	388122	633	1,51										
W460x68	W460-3		154	15,4	459	9,1	68,0	86,40	29298	1276,6	1469,2	18,41	940	122,1	191,5	3,30	48,6	462486	735	1,52										
W460x74	W460-4		190	14,5	457	9	74,0	93,62	32862	1438,2	1631,3	18,74	1660	174,8	270,4	4,21	49,4	812690	816	1,66										
W460x82	W460-5		191	16	460	9,9	82,0	103,49	36604	1591,5	1810,2	18,81	1862	194,9	302,3	4,24	66,5	917451	905	1,66										
W460x89	W460-6		192	17,7	463	10,5	89,0	112,87	40553	1751,7	1993,3	18,96	2092	217,9	338,0	4,31	88,2	1037118	997	1,67										
W460x97	W460-7		193	19	466	11,4	97,0	122,13	44105	1892,9	2161,2	19,00	2282	236,5	367,8	4,32	110,3	1139820	1081	1,68										
W460x106	W460-8		194	20,6	469	12,6	106,0	133,83	48425	2065,0	2368,5	19,02	2514	259,2	404,6	4,33	143,0	1263648	1184	1,69										
W460x113	W460-9		280	17,3	463	10,8	113,0	143,15	55213	2385,0	2654,5	19,64	6334	452,4	690,7	6,65	115,4	3145594	1327	2,02										
W460x128	W460-10		282	19,6	467	12,2	128,0	162,74	63313	2711,5	3031,1	19,72	7332	520,0	795,3	6,71	168,6	3669169	1516	2,04										
W460x144	W460-11		283	21,1	472	13,6	144,0	183,27	72221	3060,2	3436,1	19,85	8357	590,6	904,8	6,75	241,4	4229009	1718	2,05										
W460x158	W460-12		284	23,9	476	15	158,0	199,98	79246	3329,7	3756,3	19,91	9136	643,4	987,9	6,76	309,3	4668566	1878	2,06										
W460x177	W460-13		286	26,9	482	16,6	177,0	224,95	90625	3760,4	4262,2	20,07	10504	734,6	1129,7	6,83	440,5	5439114	2131	2,07										
W460x193	W460-14		283	30,5	489	17	193,0	245,39	101968	4170,5	4736,1	20,38	11539	815,5	1252,3	6,86	610,4	6064383	2368	2,08										
W460x213	W460-15		285	33,5	495	18,5	213,0	270,13	113938	4603,6	5253,4	20,54	12948	908,6	1397,1	6,92	811,7	6893975	2627	2,09										
W460x235	W460-16		287	36,6	501	20,6	235,0	298,21	126945	5067,7	5820,7	20,63	14452	1007,1	1552,7	6,96	1073,4	7791795	2910	2,11										
W460x260	W460-17		289	40,4	509	22,6	260,0	330,29	143294	5630,4	6507,1	20,83	16294	1127,6	1741,8	7,02	1450,7	8944735	3254	2,13										
W530x66	W530-1		165	11,4	525	8,9	66,0	82,32	34207	1303,1	1527,2	20,39	856	103,8	165,1	3,23	28,4	564799	764	1,69										
W530x72	W530-2		207	10,9	524	9	72,0	90,32	39205	1496,4	1725,2	20,83	1614	156,0	243,7	4,23	30,3	1062556	863	1,86										
W530x74	W530-3		166	13,6	529	9,7	74,0	93,83	40206	1520,1	1774,2	20,70	1041	125,4	199,2	3,33	43,5	691093	887	1,70										
W530x82	W530-4		209	13,3	528	9,5	82,0	103,23	46807	1773,0	2027,8	21,29	2027	194,0	301,8	4,43	47,5	1342628	1014	1,87										
W530x85	W530-5		166	16,5	535	10,3	85,0	106,49	47689	1782,8	2069,1	21,16	1263	152,1	240,7	3,44	68,6	848535	1035	1,71										
W530x92	W530-6		209	15,6	533	10,2	92,0	116,39	54394	2041,1	2329,0	21,62	2378	227,6	353,8	4,52	71,2	1591555	1165	1,88										
W530x101	W530-7		210	17,4	537	10,9	101,0	127,82	60849	2266,3	2585,9	21,82	2691	256,3	398,6	4,59	96,2	1816392	1293	1,89										
W530x109	W530-8		211	18,8	539	11,6	109,0	137,50	65881	2444,6	2792,6	21,89	2950	279,6	435,4	4,63	120,5	1995703	1396	1,90										
W530x123	W530-9		212	21,2	544	13,1	123,0	155,60	75231	2765,9	3173,7	21,99	3376	318,5	497,9	4,66	173,8	2306821	1587	1,91										
W530x138	W530-10		214	23,8	549	14,7	138,0	175,57	85734	3123,3	3598,9	22,10	3901	364,6	572,1	4,71	247,9	2689904	1799	1,92										
W530x150	W530-11		312	20,3	543	12,2	150,0	187,96	99458	3663,3	4080,4	23,00	10283	659,2	1006,7	7,40	205,6	7023843	2040	2,31										

AREA:

SHEET 13 of 53

TITLE:

STRUCTURE PLATES AND PROFILES CATALOGUE

INTERNAL

ESUP

Table 7 – Properties and dimensions of welded W / HP profiles (4/4)

Name	Dimensions (mm)										X axis										Y axis									
	b _r	t _r	d	t _w	kg/m	Area (cm ²)	I _x (cm ⁴)	W _x (cm ³)	Z _x (cm ³)	r _x (cm)	I _y (cm ⁴)	W _y (cm ³)	Z _y (cm ³)	r _y (cm)	J (cm ⁴)	C _w (cm ⁵)	Q _w (cm ³)	u (m ² /m)												
W530x165	313	22,2	546	14	165,0	209,20	110104	4033,1	4520,3	22,94	11357	725,7	1112,0	7,37	276,2	7790127	2260	2,32												
W530x182	315	24,4	551	15,2	182,0	230,05	126889	4533,3	5005,8	23,09	12725	808,0	1239,6	7,44	366,7	8822138	2503	2,33												
W530x196	316	26,3	554	16,5	196,0	248,95	133142	4806,6	5422,6	23,13	13850	876,6	1347,2	7,46	462,2	9642039	2711	2,34												
W530x219	318	29,2	560	18,3	219,0	277,50	150188	5363,9	6079,9	23,26	15676	985,9	1518,4	7,52	636,3	11041424	3040	2,36												
W530x248	315	34,5	571	19	248,0	312,73	176647	6187,3	7027,4	23,77	18001	1142,9	1756,9	7,59	985,0	12953042	3514	2,36												
W530x272	317	37,6	577	21,1	272,0	344,26	195894	6790,1	7757,5	23,85	20002	1261,9	1945,0	7,62	1292,3	14548896	3879	2,38												
W530x300	319	41,4	585	23,1	300,0	380,14	219887	7517,5	8635,6	24,05	22450	1407,5	2173,4	7,68	1732,4	16585139	4318	2,40												
W610x82	178	12,8	599	10	82,0	102,91	54863	1831,8	2157,6	23,09	1208	135,7	217,1	3,43	44,4	1037700	1079	1,89												
W610x92	179	15	603	10,9	92,0	116,16	63515	2106,6	2473,5	23,38	1440	160,9	257,3	3,52	65,7	1244694	1237	1,90												
W610x101	228	14,9	603	10,5	101,0	128,13	75239	2495,5	2860,4	24,23	2949	236,7	403,1	4,90	73,0	2549747	1430	2,10												
W610x113	228	17,3	608	11,2	113,0	143,11	86431	2843,1	3250,6	24,58	3424	300,4	467,6	4,89	106,4	2986934	1625	2,11												
W610x125	229	19,6	612	11,9	125,0	157,93	97423	3183,8	3635,0	24,84	3931	343,3	534,2	4,99	148,2	3448823	1818	2,12												
W610x140	230	22,2	617	13,1	140,0	177,13	110859	3593,5	4110,8	25,02	4513	392,4	611,8	5,05	212,3	3991175	2055	2,13												
W610x153	229	24,9	623	14	153,0	194,29	124019	3981,4	4560,4	25,27	4997	436,4	681,0	5,07	290,4	4468717	2280	2,13												
W610x155	324	19	611	12,7	155,0	195,89	127821	4184,0	4686,8	25,54	10780	665,5	1020,4	7,42	188,6	9445284	2343	2,49												
W610x174	325	21,6	616	14	174,0	220,59	145993	4740,0	5321,0	25,73	12371	761,3	1168,8	7,49	272,7	10927234	2661	2,50												
W610x195	327	24,4	622	15,4	195,0	247,85	166720	5360,8	6033,1	25,94	14237	870,8	1338,5	7,58	389,4	12710877	3017	2,52												
W610x217	328	27,7	628	16,5	217,0	276,19	189635	6039,3	6806,6	26,20	16313	994,7	1529,0	7,69	554,6	14695954	3403	2,54												
HP200x53	207	11,3	204	11,3	53,0	67,28	4910	481,4	543,7	8,54	1673	161,6	247,9	4,99	29,2	155277	272	1,21												
HP250x62	256	10,7	246	10,5	62,0	78,37	8580	697,5	777,0	10,46	2994	233,9	356,8	6,18	30,0	414430	388	1,50												
HP250x85	260	14,4	254	14,4	85,0	107,31	12130	955,1	1079,6	10,63	4224	324,9	498,4	6,27	75,6	606208	540	1,52												
HP310x79	306	11	299	11	79,0	97,79	15915	1064,5	1180,4	12,76	5256	343,5	523,4	7,33	39,9	1089895	590	1,80												
HP310x93	308	13,1	303	13,1	93,0	116,96	19281	1272,7	1420,6	12,84	6384	414,6	633,2	7,39	67,9	1341410	710	1,81												
HP310x110	310	15,5	308	15,4	110,0	138,76	23302	1513,1	1700,9	12,96	7704	497,1	761,2	7,45	112,6	1647907	850	1,83												
HP310x125	312	17,4	312	17,4	125,0	156,81	26674	1709,9	1933,6	13,04	8820	565,4	867,9	7,50	161,3	1913669	967	1,84												
HP310x132	313	18,3	314	18,3	132,0	165,32	28329	1804,4	2045,8	13,09	9367	598,5	919,6	7,53	188,3	2047542	1023	1,84												

4.3.1.3.VS type

Beam-type welded profile with $1.5 < \frac{d}{b_f} \leq 4$ relation as per indicated on ABNT NBR 5884:2013

[1]. Table 8 to Table 12 present their properties and dimensions.

Table 8 – Properties and dimensions of VS type profiles (1/5)

Name	Dimensions (mm)										X axis										Y axis									
	Original	FEM softwares	b _f	t _f	d	t _w	kg/m	Area (cm ²)	I _x (cm ⁴)	W _x (cm ³)	Z _x (cm ³)	Z _x (cm)	r _x (cm)	I _y (cm ⁴)	W _y (cm ³)	Z _y (cm ³)	r _y (cm)	J (cm ⁴)	C _w (cm ⁶)	Q _w (cm ³)	u (m ² /m)									
VS150x15	V150-1		100	6,3	150	4,75	15,0	19,13	754	100,5	112,9	6,28	105	21,0	32,3	2,34	2,2	5427	56	0,69										
VS150x18	V150-2		100	8	150	4,75	17,6	22,37	903	120,4	134,9	6,35	133	26,7	40,8	2,44	3,9	6727	67	0,69										
VS150x20	V150-3		100	9,5	150	4,75	19,8	25,22	1028	137,1	153,9	6,38	158	31,7	48,2	2,51	6,2	7820	77	0,69										
VS150x19	V150-4		100	8	150	6,3	19,2	24,44	934	124,5	141,9	6,18	134	26,7	41,3	2,34	4,6	6735	71	0,69										
VS150x21	V150-5		100	9,5	150	6,3	21,4	27,25	1057	140,9	160,5	6,23	159	31,7	48,8	2,41	6,9	7827	80	0,69										
VS200x19	V200-1		120	6,3	200	4,75	18,9	24,02	1679	167,9	188,1	8,36	182	30,3	46,4	2,75	2,7	17035	94	0,87										
VS200x22	V200-2		120	8	200	4,75	21,9	27,94	2017	201,7	224,5	8,50	231	38,4	56,6	2,87	4,8	21249	112	0,87										
VS200x25	V200-3		120	9,5	200	4,75	24,6	31,40	2305	230,5	256,1	8,57	274	45,6	69,4	2,95	7,5	24837	128	0,87										
VS200x20	V200-4		130	6,3	200	4,75	19,8	25,28	1797	179,7	200,3	8,43	231	35,5	54,3	3,02	2,9	21654	100	0,91										
VS200x23	V200-5		130	8	200	4,75	23,2	29,54	2165	216,5	239,9	8,56	293	45,1	68,6	3,15	5,1	27012	120	0,91										
VS200x26	V200-6		130	9,5	200	4,75	26,1	33,30	2477	247,7	274,2	8,63	348	53,5	81,3	3,23	8,1	31574	137	0,91										
VS250x21	V250-1		120	6,3	250	4,75	20,7	26,40	2775	222,0	251,2	10,25	182	30,3	46,7	2,62	2,9	26971	126	0,97										
VS250x24	V250-2		120	8	250	4,75	23,8	30,32	3319	265,5	297,3	10,46	231	38,4	56,9	2,76	5,0	33763	149	0,97										
VS250x27	V250-3		120	9,5	250	4,75	26,5	33,77	3787	302,9	337,5	10,59	274	45,6	69,7	2,85	7,7	39593	169	0,97										
VS250x23	V250-4		140	6,3	250	4,75	22,7	28,92	3149	251,9	281,9	10,44	288	41,2	63,1	3,16	3,2	42810	141	1,05										
VS250x26	V250-5		140	8	250	4,75	26,3	33,52	3788	303,0	336,1	10,63	366	52,3	79,7	3,30	5,6	53597	168	1,05										
VS250x30	V250-6		140	9,5	250	4,75	29,5	37,57	4336	346,9	383,2	10,74	435	62,1	94,4	3,40	8,9	62854	192	1,05										
VS250x25	V250-7		160	6,3	250	4,75	24,7	31,44	3524	281,9	312,8	10,59	430	53,8	82,0	3,70	3,5	63887	156	1,13										
VS250x29	V250-8		160	8	250	4,75	28,2	36,72	4257	340,5	374,8	10,77	546	68,3	103,7	3,86	6,3	79990	187	1,13										
VS250x32	V250-9		160	9,5	250	4,75	32,5	41,37	4886	390,9	428,9	10,87	649	81,1	122,9	3,96	10,0	93808	214	1,13										
VS300x23	V300-1		120	6,3	300	4,75	22,6	28,77	4201	280,1	320,1	12,08	182	30,3	47,0	2,51	3,0	39183	160	1,07										
VS300x26	V300-2		120	8	300	4,75	25,7	32,69	5000	333,4	376,1	12,37	231	38,4	59,2	2,66	5,1	49166	188	1,07										
VS300x28	V300-3		120	9,5	300	4,75	28,4	36,15	5690	379,3	424,9	12,55	274	45,6	70,0	2,75	7,9	57776	212	1,07										
VS300x25	V300-4		140	6,3	300	4,75	24,6	31,29	4744	316,3	357,1	12,31	288	41,2	63,4	3,04	3,4	62188	179	1,15										
VS300x28-2	V300-5		140	8	300	4,75	28,2	35,89	5683	378,8	422,8	12,58	366	52,3	80,0	3,19	5,8	78042	211	1,15										
VS300x31	V300-6		140	9,5	300	4,75	31,4	39,95	6492	432,8	480,1	12,75	435	62,1	94,7	3,30	9,0	91715	240	1,15										
VS300x27	V300-7		160	6,3	300	4,75	26,5	33,81	5288	352,5	394,1	12,51	430	53,8	82,3	3,57	3,7	92802	197	1,23										
VS300x31-2	V300-8		160	8	300	4,75	30,7	39,09	6365	424,3	469,5	12,76	546	68,3	104,0	3,74	6,5	116468	235	1,23										
VS300x34	V300-9		160	9,5	300	4,75	34,3	43,75	7294	466,3	535,3	12,91	649	81,1	123,2	3,85	10,2	136878	268	1,23										
VS300x33	V300-10		180	8	300	4,75	33,2	42,29	7047	469,8	516,3	12,91	778	86,4	131,2	4,29	7,2	165807	258	1,31										
VS300x37	V300-11		180	9,5	300	4,75	37,3	47,55	8096	539,7	590,5	13,05	924	102,6	155,5	4,41	11,3	194868	295	1,31										
VS300x46	V300-12		180	12,5	300	4,75	45,6	58,06	10128	675,2	736,7	13,21	1215	135,0	204,1	4,57	24,5	251119	368	1,31										
VS350x26	V350-1		140	6,3	350	4,75	26,4	33,67	6730	384,6	438,3	14,14	288	41,2	63,6	2,93	3,6	85178	219	1,25										
VS350x30	V350-2		140	8	350	4,75	30,0	38,27	8026	458,6	515,5	14,48	366	52,3	80,3	3,09	6,0	107070	258	1,25										
VS350x33	V350-3		140	9,5	350	4,75	33,2	42,32	9148	522,7	583,0	14,70	435	62,1	95,0	3,21	9,2	126016	291	1,25										
VS350x28	V350-4		160	6,3	350	4,75	28,4	36,19	7475	427,1	481,6	14,37	430	53,8	82,5	3,45	3,9	127102	241	1,33										
VS350x33-2	V350-5		160	8	350	4,75	32,6	41,47	8962	512,1	570,2	14,70	546	68,3	104,3	3,63	6,7	159782	285	1,33										
VS350x36	V350-6		180	9,5	350	4,75	36,2	46,12	10249	585,7	647,7	14,91	649	81,1	123,5	3,75	10,4	188063	324	1,33										
VS350x30-2	V350-7		180	6,3	350	4,75	30,4	38,71	8219	469,7	524,9	14,57	613	68,1	104,0	3,98	4,2	180934	262	1,41										

Table 9 – Properties and dimensions of VS type profiles (2/5)

Name	Dimensions (mm)										X axis										Y axis									
	Original	FEM softwares	b _t	t _t	d	t _w	kg/m	Area (cm ²)	I _x (cm ⁴)	W _x (cm)	Z _x (cm)	r _x (cm)	I _y (cm ⁴)	W _y (cm ²)	Z _y (cm)	r _y (cm)	J (cm ⁴)	C _w (cm ⁵)	Q _w (cm ³)	u (m ² /m)										
V5350x35	V350-8	180	8	350	4,75	35,1	44,67	9898	565,6	625,0	14,89	778	86,4	131,5	4,17	7,4	227465	312	1,41											
V5350x39	V350-9	180	9,5	350	4,75	39,2	49,92	11351	648,6	712,4	15,08	924	102,6	155,8	4,30	11,5	267734	356	1,41											
V5350x38	V350-10	200	8	350	4,75	37,6	47,87	10834	619,1	679,7	15,04	1067	106,7	161,9	4,72	8,0	311991	340	1,49											
V5350x42	V350-11	200	9,5	350	4,75	42,2	53,72	12453	711,6	777,1	15,22	1267	126,7	191,9	4,86	12,6	367230	389	1,49											
V5350x51	V350-12	200	12,5	350	4,75	51,4	65,44	15604	891,6	969,2	15,44	1667	166,7	251,8	5,05	27,2	474692	485	1,49											
V5400x28	V400-1	140	6,3	400	4,75	28,3	36,04	9137	456,9	525,5	15,92	288	41,2	63,9	2,83	3,7	111780	263	1,35											
V5400x32	V400-2	140	8	400	4,75	31,9	40,64	10848	542,4	614,1	16,34	366	52,3	80,6	3,00	6,2	140683	307	1,35											
V5400x35	V400-3	140	9,5	400	4,75	35,1	44,70	12332	616,6	691,7	16,61	435	62,1	95,2	3,12	9,4	165760	346	1,35											
V5400x30	V400-4	160	6,3	400	4,75	30,3	38,56	10114	505,7	575,1	16,20	430	53,8	82,8	3,34	4,1	166790	288	1,43											
V5400x34	V400-5	160	8	400	4,75	34,4	43,84	12077	603,9	676,9	16,60	546	68,3	104,6	3,53	6,9	209934	338	1,43											
V5400x38	V400-6	160	9,5	400	4,75	38,1	48,50	13781	689,0	765,9	16,86	649	81,1	123,7	3,66	10,5	247367	383	1,43											
VS400x32-2	V400-7	180	6,3	400	4,75	32,2	41,08	11091	554,5	624,7	16,43	613	68,1	104,2	3,86	4,4	237423	312	1,51											
V5400x37	V400-8	180	8	400	4,75	36,9	47,04	13307	665,3	739,6	16,82	778	86,4	131,8	4,07	7,5	298855	370	1,51											
V5400x39	V400-10	200	8	400	4,75	39,4	50,24	14536	726,8	802,3	17,01	1067	106,7	162,2	4,61	8,2	409902	401	1,59											
V5400x44	V400-11	200	9,5	400	4,75	44,0	56,10	16679	835,9	914,3	17,24	1267	126,7	192,1	4,75	12,8	483016	457	1,59											
V5450x51	V450-1	200	9,5	450	6,3	51,1	65,15	22640	1006,2	1129,5	18,64	1268	126,8	194,3	4,41	15,1	614896	565	1,69											
V5450x88	V450-2	200	21,5	450	6,3	87,6	111,64	43049	1913,3	2103,4	19,64	2868	286,8	434,0	5,07	136,1	1316277	1052	1,69											
V5450x71	V450-3	200	16	450	6,3	70,9	90,33	33985	1510,4	1664,0	19,40	2134	213,4	324,1	4,86	58,2	1004975	832	1,69											
V5450x80	V450-4	200	19	450	6,3	80,0	101,96	38989	1732,8	1905,1	19,56	2534	253,4	384,1	4,99	95,0	1176885	953	1,69											
V5450x59	V450-5	250	9,5	450	6,3	59,6	74,65	27249	1211,1	1338,8	19,11	2475	198,0	301,2	5,76	18,0	1200554	669	1,89											
V5450x70	V450-6	250	12,5	450	6,3	70,1	89,28	33946	1508,7	1651,7	19,50	3256	260,5	394,8	6,04	36,2	1558092	826	1,89											
V5450x83	V450-7	250	16	450	6,3	83,5	106,33	41523	1845,4	2011,2	19,76	4168	333,4	504,1	6,26	71,9	1962452	1006	1,89											
V5450x95	V450-8	250	19	450	6,3	95,0	120,96	47818	2125,3	2314,6	19,88	4949	395,9	597,8	6,40	117,9	2298224	1157	1,89											
V5500x61	V500-1	250	9,5	500	6,3	61,1	77,80	34416	1376,6	1529,3	21,03	2475	198,0	301,6	5,64	18,4	1488628	765	1,99											
V5500x73	V500-2	250	12,5	500	6,3	72,6	92,43	42768	1710,7	1878,8	21,51	3256	260,5	395,3	5,94	36,6	1934640	939	1,99											
V5500x86	V500-3	250	16	500	6,3	85,9	109,48	52250	2090,0	2281,0	21,85	4168	333,4	504,6	6,17	72,3	2440738	1140	1,99											
V5500x97	V500-4	250	19	500	6,3	97,4	124,11	60154	2406,2	2620,9	22,02	4949	395,9	598,3	6,31	118,3	2862444	1310	1,99											
V5550x64	V550-1	250	9,5	550	6,3	65,3	80,95	42556	1547,5	1727,8	22,93	2475	198,0	302,1	5,53	18,8	1807665	864	2,09											
V5550x75	V550-2	250	12,5	550	6,3	75,0	95,58	52747	1918,1	2113,8	23,49	3256	260,5	395,8	5,84	37,0	2351915	1057	2,09											
V5550x88	V550-3	250	16	550	6,3	88,4	112,63	64345	2339,8	2538,6	23,90	4168	333,4	505,1	6,08	72,7	2971144	1279	2,09											
V5550x100	V550-4	250	19	550	6,3	99,9	127,26	74041	2692,4	2935,1	24,12	4949	395,9	598,8	6,24	118,7	3488551	1468	2,09											
V5600x81	V600-1	300	9,5	600	8	81,2	103,48	62768	2092,3	2338,0	24,63	4277	285,2	436,8	6,43	27,2	3728788	1179	2,38											
V600-2	V600-2	300	12,5	600	8	95,0	121,00	77401	2580,0	2864,4	25,29	5627	375,2	571,7	6,82	49,1	4855877	1432	2,38											
V5600x111	V600-3	300	16	600	8	111,0	141,44	94091	3136,4	3448,4	25,79	7202	480,2	729,1	7,14	91,9	6141074	1724	2,38											
V5600x125	V600-4	300	19	600	8	124,8	158,96	108073	3602,4	3943,4	26,07	8552	570,2	864,0	7,33	147,1	7217390	1972	2,38											
V5600x140	V600-5	300	22,4	600	8	140,4	178,82	123562	4118,7	4498,0	26,29	10082	672,2	1016,9	7,51	234,6	8409244	2249	2,38											
V5600x152	V600-6	300	25	600	8	152,3	194,00	135154	4505,1	4917,5	26,39	11252	750,2	1133,8	7,62	322,3	9300768	2459	2,38											
V5650x84	V650-1	300	9,5	650	8	84,4	107,48	75213	2314,2	2621,7	26,45	4278	285,2	437,6	6,31	28,1	4387204	1311	2,48											

Table 10 Properties and dimensions of VS type profiles (3/5)

Name	Dimensions (mm)										X axis										Y axis									
	FEM softwares	b _r	t	d	t _w	kg/m	Area (cm ²)	I _x (cm ⁴)	W _x (cm)	Z _x (cm)	r _x (cm)	I _y (cm ⁴)	W _y (cm ²)	Z _y (cm)	r _y (cm)	J (cm ⁴)	C _w (cm ⁵)	Q _w (cm ³)	u (m ² /m)											
V5650x98	V650-2	300	12,5	650	8	98,1	125,00	92487	2845,8	3171,9	27,20	5628	375,2	572,5	6,71	49,9	5717797	1586	2,48											
V5650x114	V650-3	300	16	650	8	114,2	145,44	112225	3453,1	3807,0	27,78	7203	480,2	729,9	7,04	92,7	7237858	1904	2,48											
V5650x128	V650-4	300	19	650	8	127,9	162,96	128792	3962,8	4345,8	28,11	8553	570,2	864,8	7,24	147,9	8513291	2173	2,48											
V5650x143	V650-5	300	22,4	650	8	143,5	182,82	147178	4528,6	4950,0	28,37	10083	672,2	1017,7	7,43	235,5	9928363	2475	2,48											
V5650x155	V650-6	300	25	650	8	155,4	198,00	160963	4952,7	5407,5	28,51	11253	750,2	1134,6	7,54	323,2	10988828	2704	2,48											
V5700x105	V700-1	320	12,5	700	8	105,2	134,00	115045	3287,0	3661,3	29,30	6830	426,8	650,8	7,14	53,4	8070070	1831	2,66											
V5700x122	V700-2	320	16	700	8	122,3	155,84	139665	3990,4	4394,5	29,94	8741	546,3	829,9	7,49	99,1	10223804	2197	2,66											
V5700x137	V700-3	320	19	700	8	137,0	174,56	160361	4581,7	5017,0	30,31	10379	648,7	983,4	7,71	157,9	12033853	2508	2,66											
V5750x108	V750-1	320	12,5	750	8	108,3	138,00	134197	3578,6	4001,3	31,18	6830	426,9	651,6	7,03	54,3	9286873	2001	2,76											
V5750x125	V750-2	320	16	750	8	125,5	159,84	162620	4336,5	4789,1	31,90	8741	546,3	830,7	7,40	99,9	11773431	2395	2,76											
V5750x140	V750-3	320	19	750	8	140,2	178,56	186545	4974,5	5458,4	32,32	10380	648,7	984,2	7,62	158,8	13866095	2729	2,76											
V5750x157	V750-4	320	22,4	750	8	156,8	199,78	213178	5684,7	6210,1	32,67	12236	764,8	1158,2	7,83	252,2	16194923	3105	2,76											
V800x111	V800-1	320	12,5	800	8	111,5	142,00	155074	3876,8	4351,3	33,05	6830	426,9	652,4	6,94	55,1	10589127	2176	2,86											
V800x128	V800-2	320	16	800	8	127,7	172,24	203358	4821,6	5414,1	33,12	8936	510,6	779,6	7,53	60,7	17596290	2707	3,18											
V800x143	V800-3	320	19	800	8	143,3	182,56	214961	5374,0	5909,8	34,31	10380	648,7	985,0	7,54	159,7	15828159	2955	2,86											
V800x160	V800-4	320	22,4	800	8	160,0	203,78	245485	6137,1	6714,5	34,71	12237	764,8	1159,0	7,75	253,0	18497524	3357	2,86											
V850x173	V850-1	320	12,5	850	8	172,7	220,00	268458	6711,5	7325,0	34,93	13657	853,5	1292,0	7,88	346,6	20506138	3663	2,86											
V850x190	V850-2	350	16	850	8	190,5	243,00	303358	7137,8	7785,1	37,03	16010	914,9	1384,9	8,51	276,4	27414168	3893	3,08											
V850x210	V850-3	350	19	850	8	210,5	276,00	351998	8117,7	8498,8	37,27	17868	1021,0	1544,1	8,65	378,7	30403513	4249	3,08											
V850x230	V850-4	350	22,4	850	8	230,5	303,00	393198	8811,7	9498,8	37,27	17868	1021,0	1544,1	8,65	378,7	30403513	4249	3,08											
V850x250	V850-5	350	25	850	8	250,5	330,00	433198	9411,7	10098,8	37,27	17868	1021,0	1544,1	8,65	378,7	30403513	4249	3,08											
V900x124	V900-1	350	12,5	900	8	123,6	157,50	216973	4821,6	5414,1	33,12	8936	510,6	779,6	7,53	60,7	17596290	2707	3,18											
V900x142	V900-2	350	16	900	8	142,4	181,44	262430	5831,8	6457,2	38,03	11437	653,5	993,9	7,94	110,7	22343853	3229	3,18											
V900x159	V900-3	350	19	900	8	158,5	201,96	300814	6684,8	7344,7	38,59	13581	776,0	1177,5	8,20	175,1	26352143	3672	3,18											
V900x177	V900-4	350	22,4	900	8	176,8	225,22	343674	7637,2	8343,1	39,06	16010	914,9	1385,7	8,43	277,2	30827132	4172	3,18											
V950x127	V950-1	350	12,5	950	8	126,8	161,50	245036	5158,6	5812,8	38,95	8936	510,6	780,4	7,44	61,6	19635289	2906	3,28											
V950x146	V950-2	350	16	950	8	145,6	185,44	295858	6228,6	6915,8	39,94	11437	653,5	994,7	7,85	111,5	24943384	3458	3,28											
V950x162	V950-3	350	19	950	8	161,7	205,96	338808	7132,8	7854,6	40,56	13581	776,0	1178,3	8,12	175,9	29428648	3927	3,28											
V950x180	V950-4	350	22,4	950	8	179,9	229,22	386806	8143,3	8911,2	41,08	16010	914,9	1386,5	8,36	278,1	34440319	4456	3,28											
V950x194	V950-5	350	25	950	8	193,9	247,00	423027	8905,8	9713,8	41,38	17868	1021,0	1545,7	8,51	380,4	38221674	4857	3,28											
V1000x140	V1000-1	400	12,5	1000	8	139,7	178,00	305593	6111,9	6838,8	41,43	13337	666,9	1015,6	8,66	68,9	32515350	3419	3,58											
V1000x161	V1000-2	400	16	1000	8	161,3	205,44	370339	7406,8	8171,6	42,46	17071	853,5	1295,5	9,12	126,0	41322254	4086	3,58											
V1000x180	V1000-3	400	19	1000	8	179,7	228,96	425095	8501,9	9306,5	43,09	20271	1013,5	1534,4	9,41	199,6	48769499	4653	3,58											
V1000x201	V1000-4	400	22,4	1000	8	200,7	255,62	486331	9726,6	10584,1	43,62	23897	1194,9	1807,3	9,67	316,4	57096989	5292	3,58											
V1000x217	V1000-5	400	25	1000	8	216,7	276,00	532575	10651,5	11555,0	43,93	26671	1333,5	2015,2	9,83	433,3	63384633	5778	3,58											
V1100x159	V1100-1	400	12,5	1100	9,5	158,7	202,13	394026	7164,1	8182,1	44,15	13341	667,1	1024,3	8,12	83,2	39444584	4091	3,78											
V1100x180	V1100-2	400	16	1100	9,5	180,1	229,46	472485	8590,6	9646,6	45,38	17074	853,7	1304,1	8,63	140,2	50158139	4823	3,78											

Table 11 – Properties and dimensions of VS type profiles (4/5)

Name	Dimensions (mm)						X axis								Y axis					Q _{ux} (cm ³ /m)
	FEM softwares	b _r	t _r	d	t _w	kg/m	Area (cm ²)	I _x (cm ⁴)	W _x (cm)	Z _x (cm)	r _x (cm)	I _y (cm ⁴)	W _y (cm)	Z _y (cm)	r _y (cm)	J (cm ⁴)	C _w (cm ⁵)	u (m ² /m)		
VS1100x199	V1100-3	400	19	1100	9.5	198.5	252.89	538922	9798.6	10894.2	46.16	20274	1013.7	1544.0	8.95	213.8	59229258	5447	3.78	
VS1100x219	V1100-4	400	22.4	1100	9.5	219.4	279.44	613316	11151.2	12299.7	46.85	23901	1195.0	1815.8	9.25	330.5	69385533	6150	3.78	
VS1100x235	V1100-5	400	25	1100	9.5	235.3	299.75	669562	12173.9	13368.4	47.26	26674	1333.7	2023.7	9.43	447.4	77063341	6684	3.78	
VS1200x200	V1200-1	450	16	1200	9.5	200.1	254.96	630844	10514.1	11764.8	49.74	24308	1080.4	1646.4	9.76	156.7	85191999	5882	4.18	
VS1200x221	V1200-2	450	19	1200	9.5	220.9	281.39	720523	12008.7	13504.4	50.60	28865	1282.9	1950.0	10.13	239.5	100647879	6652	4.18	
VS1200x244	V1200-3	450	22.4	1200	9.5	244.4	311.34	821045	13684.1	15039.6	51.35	34028	1512.4	2294.1	10.45	370.8	117971001	7520	4.18	
VS1200x262	V1200-4	450	25	1200	9.5	262.4	334.25	897121	14952.0	16559.7	51.81	37977	1687.9	2557.2	10.66	502.3	131079873	8180	4.18	
VS1200x307	V1200-5	450	31.5	1200	9.5	307.3	391.52	1084322	18072.0	19633.8	52.63	47849	2126.6	3215.0	11.06	974.1	163330776	9817	4.18	
VS1300x237	V1300-1	450	16	1300	12.5	237.5	302.50	805914	12398.7	14269.3	51.62	24821	1080.9	1669.5	8.97	206.5	100240914	7135	4.38	
VS1300x258	V1300-2	450	19	1300	12.5	258.1	328.75	910929	14034.3	15929.6	52.64	28877	1283.4	1973.0	9.37	289.2	118464217	7965	4.38	
VS1300x299	V1300-3	450	25	1300	12.5	299.3	381.25	1117982	17199.7	19226.6	54.15	37989	1688.4	2580.1	9.98	551.8	154390057	9613	4.38	
VS1300x344	V1300-4	450	31.5	1300	12.5	343.9	438.13	1337847	20582.3	22762.8	55.26	47861	2127.1	3237.7	10.45	1020.3	192530939	11381	4.38	
VS1400x260	V1400-1	500	16	1400	12.5	259.8	331.00	1032894	14755.6	16920.2	55.86	33356	1394.2	2053.4	10.04	226.6	159727955	8460	4.78	
VS1400x283	V1400-2	500	19	1400	12.5	282.8	360.25	1169143	16702.0	18916.5	56.97	39606	1584.2	2428.2	10.49	318.5	188835169	9458	4.78	
VS1400x309	V1400-3	500	22.4	1400	12.5	308.8	393.40	1322113	18887.3	21168.4	57.97	46689	1867.5	2852.9	10.89	464.3	221512522	10584	4.78	
VS1400x329	V1400-4	500	25	1400	12.5	328.7	418.75	1438060	20543.7	22882.8	58.60	52105	2084.2	3177.7	11.15	610.4	246278985	11441	4.78	
VS1400x378	V1400-5	500	31.5	1400	12.5	378.5	482.13	1724041	24629.2	27140.0	59.80	65647	2625.9	3989.7	11.67	1131.0	307356883	13570	4.78	
VS1400x424	V1400-6	500	37.5	1400	12.5	424.4	540.63	1983133	28330.2	32057.8	60.57	78147	3125.9	4739.3	12.02	1846.5	362679433	15517	4.78	
VS1400x478	V1400-7	500	44.5	1400	12.5	478.0	608.88	2279533	32564.8	35530.9	61.19	92730	3709.2	5613.7	12.34	3025.6	425949166	17765	4.78	
VS1500x270	V1500-1	500	16	1500	12.5	269.6	343.50	1210476	16139.7	18606.5	59.36	33357	1394.3	2057.3	9.85	233.1	183652881	9303	4.98	
VS1500x293	V1500-2	500	19	1500	12.5	292.6	372.75	1367419	18232.2	20749.0	60.57	39607	1584.3	2432.1	10.31	325.1	217183830	10375	4.98	
VS1500x319	V1500-3	500	22.4	1500	12.5	318.6	405.90	1543737	20583.2	23166.6	61.67	46690	1867.6	2856.8	10.73	470.8	254847817	11583	4.98	
VS1500x339	V1500-4	500	25	1500	12.5	338.5	431.25	1677461	22366.1	25007.8	62.37	52107	2084.3	3181.6	10.99	616.9	283412868	12504	4.98	
VS1500x388	V1500-5	500	31.5	1500	12.5	388.3	494.63	2007598	26768.0	29581.9	63.71	65648	2625.9	3993.6	11.52	1137.5	353925603	14791	4.98	
VS1500x434	V1500-6	500	37.5	1500	12.5	434.2	553.13	2307085	30761.1	33767.6	64.58	78148	3125.9	4743.2	11.89	1853.0	417879148	16884	4.98	
VS1500x488	V1500-7	500	44.5	1500	12.5	487.8	621.38	2650168	35335.6	38606.5	65.31	92731	3709.3	5617.6	12.22	3032.1	491123563	19303	4.98	
VS1600x328	V1600-1	500	22.4	1600	12.5	328.4	418.40	1785655	22320.7	25227.4	65.33	46692	1867.7	2860.8	10.56	477.4	290520034	12614	5.18	
VS1600x348	V1600-2	500	25	1600	12.5	348.3	443.75	1938424	24230.3	27195.3	66.09	52109	2084.3	3185.5	10.84	623.4	323154499	13598	5.18	
VS1600x398	V1600-3	500	31.5	1600	12.5	398.1	507.13	2315887	28948.6	32086.3	67.58	65650	2626.0	3997.5	11.38	1144.0	403779133	16043	5.18	
VS1600x444	V1600-4	500	37.5	1600	12.5	444.0	565.63	2658693	33233.7	36564.5	68.56	78150	3126.0	4747.1	11.75	1859.5	476986633	18282	5.18	
VS1600x498	V1600-5	500	44.5	1600	12.5	497.6	633.88	3051871	38148.4	41744.6	69.39	92733	3709.3	5621.5	12.10	3038.6	560938893	20872	5.18	
VS1700x338	V1700-1	500	22.4	1700	12.5	338.3	430.90	2048493	24099.9	27350.5	68.95	46694	1867.7	2864.7	10.41	483.9	328529419	13675	5.38	
VS1700x358	V1700-2	500	25	1700	12.5	358.2	456.25	2221576	26136.2	29445.3	69.78	52110	2084.4	3189.5	10.69	629.9	365504121	14723	5.38	
VS1700x408	V1700-3	500	31.5	1700	12.5	407.9	519.63	2649532	31171.0	34653.2	71.41	65652	2626.1	4001.4	11.24	1150.9	456917756	17327	5.38	
VS1700x454	V1700-4	500	37.5	1700	12.5	453.8	578.13	3038582	35748.0	39423.8	72.50	78151	3126.1	4751.0	11.63	1866.0	540008193	19712	5.38	
VS1700x507	V1700-5	500	44.5	1700	12.5	507.4	646.38	3485268	41003.2	44945.3	73.43	92735	3709.4	5625.4	11.98	3045.2	635389402	22473	5.38	
VS1800x348	V1800-1	500	22.4	1800	12.5	348.1	443.40	2332876	25920.8	29536.4	72.54	46695	1867.8	2868.6	10.26	490.4	368876214	14768	5.58	
VS1800x368	V1800-2	500	25	1800	12.5	368.0	468.75	2527539	28083.8	31757.8	73.43	52112	2084.5	3193.4	10.54	636.4	410461979	15879	5.58	

Table 12 – Properties and dimensions of VS type profiles (5/5)

Name	Dimensions (mm)										X axis										Y axis									
	Original	FEM softwares	b _y	t _y	d	t _w	kg/m	Area (cm ²)	I _x (cm ⁴)	W _x (cm ³)	Z _x (cm ³)	r _x (cm)	I _y (cm ⁴)	W _y (cm ³)	Z _y (cm ³)	r _y (cm)	J (cm ⁴)	C _w (cm ⁵)	Q _w (cm ³)	u (m ² /m)										
VS1800x418	V1800-3	500	31,5	1800	12,5	417,7	532,13	3009158	33435,1	37282,5	75,20	65653	2626,1	4005,4	11,11	1157,0	513341658	18641	5,58											
VS1800x464	V1800-4	500	37,5	1800	12,5	463,6	590,63	3447378	38304,2	42345,7	76,40	78153	3126,1	4754,9	11,50	1872,6	606938011	21173	5,58											
VS1800x517	V1800-5	500	44,5	1800	12,5	517,2	658,88	3950984	43899,8	48208,4	77,44	92736	3709,4	5629,3	11,86	3051,7	714481333	24104	5,58											
VS1800x465	V1800-6	500	31,5	1800	16	465,4	592,92	3162016	35133,5	39922,6	73,03	65684	2627,4	4048,7	10,53	1283,3	513584188	19961	5,57											
VS1800x511	V1800-7	500	37,5	1800	16	511,0	651,00	3597089	39967,7	44949,4	74,33	78184	3127,4	4797,9	10,96	1998,5	607177234	22475	5,57											
VS1800x564	V1800-8	500	44,5	1800	16	564,2	718,76	4097080	45523,1	50770,0	75,50	92767	3710,7	5672,0	11,36	3177,1	714716733	25385	5,57											
VS1900x429	V1900-1	500	25	1900	16	428,6	546,00	3041613	32017,0	37127,5	74,64	52146	2085,9	3243,4	9,77	776,8	458318672	18564	5,77											
VS1900x478	V1900-2	500	31,5	1900	16	478,0	608,92	3576198	37644,2	42927,2	76,64	65688	2627,5	4055,1	10,39	1297,0	573337420	21464	5,77											
VS1900x524	V1900-3	500	37,5	1900	16	523,6	667,00	4062991	42768,3	48244,4	78,05	78187	3127,5	4804,3	10,83	2012,1	678060976	24122	5,77											
VS1900x577	V1900-4	500	44,5	1900	16	576,8	734,76	4622882	48661,9	54403,8	79,32	92770	3710,8	5678,4	11,24	3190,7	798491283	27202	5,77											
VS2000x461	V2000-1	550	25	2000	16	460,8	587,00	3670473	36704,7	42366,3	79,08	69389	2523,3	3906,1	10,87	842,6	676655819	21183	6,17											
VS2000x515	V2000-2	550	31,5	2000	16	515,3	656,42	4326007	43260,1	49112,1	81,18	87413	3178,7	4888,3	11,54	1414,8	846811659	24556	6,17											
VS2000x566	V2000-3	550	37,5	2000	16	565,6	720,50	4923357	49233,6	55299,1	82,66	104050	3783,6	5795,1	12,02	2201,5	1001847837	27650	6,17											
VS2000x624	V2000-4	550	44,5	2000	16	624,3	795,26	5610913	56109,1	62468,5	84,00	123460	4489,5	6852,9	12,46	3498,1	1180271700	31234	6,17											

4.3.1.4.CVS type

Beam/column-type welded profile with $1 < \frac{d}{b_f} \leq 1,5$ relation as per indicated on ABNT NBR 5884:2013 [1]. Table 13 to Table 16 present their properties and dimensions.

Table 13 – Properties and dimensions of CVS type profiles (1/4)

Name	Dimensions (mm)							X axis												Y axis									
	Original	FEM softwares	b _r	t _r	d	t _w	kg/m	Area (cm ²)	I _x (cm ⁴)	W _x (cm ³)	Z _x (cm ³)	r _x (cm)	I _{yy} (cm ⁴)	W _y (cm ³)	Z _y (cm ³)	r _y (cm)	J (cm ⁴)	C _w (cm ⁶)	Q _w (cm ³ /m)	u (m ² /m)									
CVS150x15	S150-1		100	6,3	150	4,75	15,0	19,13	754	100,5	112,9	6,28	105	21,0	32,3	2,34	2,2	5427	56	0,69									
CVS150x18	S150-2		100	8	150	4,75	17,6	22,37	903	120,4	134,9	6,35	133	26,7	40,8	2,44	3,9	6727	67	0,69									
CVS150x20	S150-3		100	9,5	150	4,75	19,8	25,22	1028	137,1	153,9	6,38	158	31,7	48,2	2,51	6,2	7820	77	0,69									
CVS150x22	S150-4		120	8	150	6,3	21,7	27,64	1095	146,0	164,6	6,29	231	38,4	58,9	2,89	5,3	11629	82	0,77									
CVS150x24	S150-5		120	9,5	150	6,3	24,4	31,05	1245	166,0	187,2	6,33	274	45,6	69,7	2,97	8,0	13516	94	0,77									
CVS200x21	S200-1		140	6,3	200	4,75	20,8	26,54	1916	191,6	212,5	8,50	288	41,2	62,8	3,30	3,0	27041	106	0,95									
CVS200x24	S200-2		140	8	200	4,75	24,4	31,14	2312	231,2	255,2	8,62	366	52,3	79,4	3,43	5,5	33733	128	0,95									
CVS200x28	S200-3		140	9,5	200	4,75	27,6	35,20	2650	285,0	292,3	8,68	435	62,1	94,1	3,51	8,7	39432	146	0,95									
CVS200x27	S200-4		140	8	200	6,3	26,7	33,99	2393	239,3	268,4	8,59	366	52,3	80,2	3,28	6,4	33754	134	0,95									
CVS200x30	S200-5		140	9,5	200	6,3	29,8	38,00	2727	272,7	305,0	8,47	435	62,1	94,9	3,38	9,6	39451	152	0,95									
CVS200x36	S200-6		140	12,5	200	6,3	36,1	46,03	3362	336,2	376,4	8,55	572	81,7	124,2	3,53	19,8	50276	188	0,95									
CVS200x38	S200-7		140	12,5	200	8	38,5	49,00	3438	343,8	389,4	8,38	572	81,8	125,3	3,42	21,4	50310	195	0,94									
CVS200x46	S200-8		140	16	200	8	45,7	58,24	4118	411,8	468,6	8,41	732	104,6	159,5	3,55	41,4	61995	234	0,94									
CVS250x30	S250-1		170	8	250	4,75	30,1	38,32	4491	359,3	394,1	10,83	655	77,1	116,9	4,14	6,7	95939	197	1,17									
CVS250x33	S250-2		170	8	250	6,3	32,9	41,94	4656	372,5	415,4	10,54	656	77,1	117,9	3,95	7,8	95980	208	1,17									
CVS250x40	S250-3		170	9,5	250	8	39,9	50,78	5495	439,6	495,1	10,40	779	91,6	141,0	3,92	13,8	112626	248	1,16									
CVS250x47	S250-4		170	12,5	250	8	47,5	60,50	6758	540,6	605,9	10,57	1025	120,5	184,2	4,12	26,2	144471	303	1,16									
CVS250x56	S250-5		170	16	250	8	56,4	71,84	8149	651,9	731,5	10,65	1311	154,2	234,7	4,27	50,4	179471	366	1,16									
CVS250x64	S250-6		170	16	250	12,5	64,1	81,65	8538	683,0	785,0	10,23	1314	154,6	239,7	4,01	61,7	179830	392	1,16									
CVS250x72	S250-7		170	19	250	12,5	71,5	91,10	9630	770,4	886,6	10,28	1559	183,4	282,8	4,14	92,8	208006	443	1,16									
CVS300x47	S300-1		200	9,5	300	8	47,5	60,48	9499	633,3	709,9	12,53	1268	126,8	194,5	4,58	16,4	267489	355	1,38									
CVS300x67	S300-3		200	16	300	8	67,1	85,44	14202	946,8	1052,4	12,89	2134	213,4	324,3	5,00	59,5	430396	526	1,38									
CVS300x70	S300-4		200	16	300	9,5	70,2	89,46	14442	962,8	1079,4	12,71	2135	213,5	326,0	4,89	62,7	430551	540	1,38									
CVS300x79	S300-5		200	19	300	9,5	79,2	100,89	16449	1096,6	1230,8	12,77	2538	253,8	385,9	5,01	99,5	500456	615	1,38									
CVS300x85	S300-6		200	19	300	12,5	85,4	108,75	16899	1126,6	1282,3	12,47	2538	253,8	390,2	4,83	109,7	500928	641	1,38									
CVS300x95	S300-7		200	22,4	300	12,5	95,4	121,50	19031	1268,7	1447,2	12,52	2991	299,1	458,0	4,96	167,9	576195	724	1,38									
CVS300x55	S300-8		250	9,5	300	8	54,9	69,98	11504	766,9	847,9	12,82	2475	247,5	360,4	5,95	19,2	522198	424	1,58									
CVS300x66	S300-9		250	12,5	300	8	66,3	84,50	14310	954,0	1049,7	13,01	3256	260,5	395,0	6,21	37,5	672901	525	1,58									
CVS300x80	S300-10		250	16	300	8	79,6	101,44	17432	1162,1	1279,6	13,11	4168	333,4	504,3	6,41	73,1	840397	640	1,58									
CVS300x83	S300-11		250	16	300	9,5	82,8	105,46	17672	1178,1	1306,6	12,94	4169	333,5	506,0	6,29	76,4	840553	653	1,58									
CVS300x94	S300-12		250	19	300	9,5	94,1	119,89	20206	1347,0	1497,8	12,98	4950	396,0	599,7	6,43	122,3	977101	749	1,58									
CVS300x100	S300-13		250	19	300	12,5	100,3	127,75	20855	1377,0	1549,3	12,72	4952	396,2	604,0	6,23	132,6	977573	775	1,58									
CVS300x113	S300-14		250	22,4	300	12,5	113,0	143,90	23355	1557,0	1758,1	12,74	5837	467,0	710,0	6,37	205,4	1124618	879	1,58									
CVS350x73	S350-1		250	12,5	350	9,5	73,3	93,38	20524	1172,8	1305,5	14,83	3258	260,6	398,0	5,91	42,2	927633	653	1,68									
CVS350x87	S350-2		250	16	350	9,5	86,5	110,21	24874	1421,4	1576,2	15,02	4169	333,5	507,2	6,15	77,8	1162675	788	1,68									
CVS350x98	S350-3		250	19	350	9,5	97,8	124,64	28454	1625,9	1803,4	15,11	4950	396,0	600,8	6,30	123,8	1355857	902	1,68									
CVS350x105	S350-4		250	19	350	12,5	105,2	134,00	29213	1669,3	1876,5	14,77	4950	396,2	605,9	6,08	135,9	1356638	938	1,68									
CVS350x118	S350-5		250	22,4	350	12,5	117,9	150,15	33058	1889,0	2125,6	14,84	5838	467,1	711,9	6,24	208,7	1566442	1063	1,68									

AREA:

SHEET 20 of 53

TITLE:

STRUCTURE PLATES AND PROFILES CATALOGUE
INTERNAL
ESUP

Table 14 – Properties and dimensions of CVS type profiles (2/4)

Name	Dimensions (mm)										X axis										Y axis									
	Original	FEM softwares	b _r	t _r	d	t _w	kg/m	Area (cm²)	I _{xx} (cm⁴)	W _{xx} (cm³)	Z _{xx} (cm²)	r _{xx} (cm)	I _{yy} (cm⁴)	W _{yy} (cm³)	Z _{yy} (cm²)	r _{yy} (cm)	J (cm⁴)	C _w (cm⁵)	Q _{av} (cm²)	u (m²/m)										
CVS350x128	S350-6		250	25	350	12,5	127,6	162,50	35885	2050,6	2312,5	14,86	6515	521,2	793,0	6,33	281,6	1720446	1156	1,68										
CVS350x136	S350-7		250	25	350	16	135,8	173,00	36673	2095,6	2391,3	14,56	6521	521,7	800,5	6,14	304,8	1721861	1196	1,67										
CVS400x82	S400-1		300	12,5	400	8	82,4	105,00	31680	1584,0	1734,4	17,37	5627	375,1	568,5	7,32	45,7	2112173	867	1,98										
CVS400x87	S400-2		300	12,5	400	9,5	86,8	110,63	32339	1616,9	1787,1	17,10	5628	375,2	571,0	7,13	50,1	2112578	894	1,98										
CVS400x103	S400-3		300	16	400	9,5	102,8	130,96	39355	1967,8	2164,8	17,34	7203	480,2	728,3	7,42	92,9	2655177	1082	1,98										
CVS400x116	S400-4		300	19	400	9,5	116,5	148,39	45161	2258,0	2482,9	17,45	8553	570,2	863,2	7,59	148,1	3103755	1241	1,98										
CVS400x125	S400-5		300	19	400	12,5	125,0	159,25	46347	2317,3	2581,2	17,06	8556	570,4	869,1	7,33	162,0	3104955	1291	1,98										
CVS400x140	S400-6		300	22,4	400	12,5	140,4	178,80	52632	2631,6	2931,7	17,16	10086	672,4	1021,9	7,51	249,4	3595121	1466	1,98										
CVS400x152	S400-7		300	25	400	12,5	152,1	193,75	57279	2863,9	3195,3	17,19	11256	750,4	1138,7	7,62	336,9	3957081	1598	1,98										
CVS400x162	S400-8		300	25	400	16	161,7	206,00	58529	2926,5	3302,5	16,86	11262	750,8	1147,4	7,39	363,7	3959278	1651	1,97										
CVS450x116	S450-1		300	16	450	12,5	116,4	148,25	53834	2348,2	2629,2	18,88	7207	480,5	736,3	6,97	110,2	3393612	1315	2,08										
CVS450x130	S450-2		300	19	450	12,5	129,9	165,50	60261	2678,3	2987,2	19,08	8557	570,4	871,1	7,19	165,0	3977172	1568	2,07										
CVS450x141	S450-3		300	19	450	16	141,2	179,92	62301	2768,9	3135,7	18,61	8564	570,9	881,4	6,90	186,2	4613934	1765	2,07										
CVS450x168	S450-5		300	25	450	16	168,0	214,00	76346	3393,1	3827,5	18,89	11264	750,9	1150,6	7,25	370,5	5086243	1914	2,07										
CVS450x177	S450-6		300	25	450	19	177,4	226,00	77946	3464,3	3947,5	18,57	11273	751,5	1161,1	7,06	409,7	5090402	1974	2,06										
CVS450x188	S450-7		300	25	450	22,4	188,1	239,60	79759	3544,9	4083,5	18,25	11287	752,5	1175,2	6,86	471,7	5096996	2042	2,06										
CVS450x206	S450-8		300	31,5	450	19	206,1	262,53	92088	4092,8	4666,2	18,73	14197	946,5	1452,4	7,35	720,8	6216289	2333	2,06										
CVS450x216	S450-9		300	31,5	450	22,4	216,4	275,69	95730	4165,8	4793,5	18,44	14211	947,4	1466,0	7,18	781,9	6222474	2397	2,06										
CVS500x123	S500-1		350	16	500	9,5	122,8	156,46	73730	2949,2	3230,6	21,71	11437	653,5	990,6	8,55	109,4	6697776	1615	2,38										
CVS500x134	S500-2		350	16	500	12,5	133,8	170,50	76293	3051,7	3394,9	21,15	11441	653,8	998,3	8,19	127,1	6700278	1697	2,38										
CVS500x150	S500-3		350	19	500	12,5	149,7	190,75	87240	3489,6	3865,7	21,39	13585	776,3	1181,8	8,44	191,4	7857368	1933	2,38										
CVS500x162	S500-4		350	19	500	16	162,4	206,92	90116	3604,6	4052,4	20,87	13593	776,7	1193,3	8,11	225,7	7862140	2026	2,37										
CVS500x180	S500-5		350	22,4	500	16	180,3	229,63	102058	4082,3	4573,2	21,08	16022	915,6	1401,1	8,35	327,5	9136732	2287	2,37										
CVS500x194	S500-6		350	25	500	16	193,9	247,00	110952	4438,1	4966,3	21,19	17880	1021,7	1560,1	8,51	429,4	10085406	2483	2,37										
CVS500x204	S500-7		350	25	500	19	204,5	260,50	113230	4529,2	5118,1	20,85	17890	1022,3	1571,9	8,29	473,2	10091250	2559	2,36										
CVS500x217	S500-8		350	25	500	22,4	216,5	275,80	115812	4632,5	5290,3	20,49	17907	1023,2	1587,7	8,06	542,5	10100516	2645	2,36										
CVS500x238	S500-9		350	31,5	500	19	238,3	303,53	134391	5375,6	6072,3	21,04	22534	1287,7	1968,8	8,62	836,4	12365290	3036	2,36										
CVS500x250	S500-10		350	31,5	500	22,4	249,9	318,39	136755	5470,2	6234,6	20,72	22550	1288,6	1984,2	8,42	904,8	12374043	3117	2,36										
CVS500x259	S500-11		350	31,5	500	25	258,9	329,75	138564	5542,5	6358,8	20,50	22566	1289,5	1997,7	8,27	973,3	12382807	3179	2,35										
CVS500x281	S500-12		350	37,5	500	22,4	280,8	357,70	150513	6200,5	7081,8	20,82	26837	1533,5	2350,2	8,66	1403,7	14351335	3541	2,36										
CVS500x317	S500-13		350	44,5	500	22,4	316,8	403,56	175049	7002,0	8040,4	20,83	31837	1819,3	2777,2	8,88	2226,8	16514107	4020	2,36										
CVS550x184	S550-1		400	19	550	16	183,6	233,92	125087	4568,7	5084,2	23,12	20284	1014,2	1528,2	9,51	255,4	14298343	2542	2,67										
CVS550x204	S550-2		400	22,4	550	16	203,1	260,03	141973	5162,6	5748,2	23,37	22981	1195,5	1824,3	9,59	371,4	16639476	2874	2,67										
CVS550x220	S550-3		400	25	550	16	219,8	280,00	154583	5621,2	6250,0	23,50	26684	1334,2	2032,0	9,76	488,3	18386760	3125	2,67										
CVS550x232	S550-4		400	25	550	19	231,6	295,00	157708	5734,8	6437,5	23,12	26695	1334,8	2045,1	9,51	536,7	18394693	3219	2,66										
CVS550x245	S550-5		400	25	550	22,4	244,9	312,00	161250	5863,6	6650,0	22,73	26713	1335,7	2062,7	9,25	613,4	18407269	3325	2,66										
CVS550x270	S550-6		400	31,5	550	19	270,5	344,53	187867	6831,5	7659,7	23,35	33628	1681,4	2564,0	9,88	952,0	22601458	3830	2,66										
CVS550x283	S550-7		400	31,5	550	22,4	283,5	361,09	191139	6950,5	7861,2	23,01	33646	1682,3	2581,1	9,65	1027,7	22613406	3931	2,66										

AREA:

SHEET

21 of 53

TITLE:

STRUCTURE PLATES AND PROFILES CATALOGUE

INTERNAL

ESUP

Table 15 – Properties and dimensions of CVS type profiles (3/4)

Name	Dimensions (mm)								X axis											Y axis									
	Original	FEM softwares	b _r	t _r	d	t _w	kg/m	Area (cm ²)	l _k (cm ⁴)	W _x (cm ²)	Z _x (cm ³)	r _x (cm)	l _y (cm ⁴)	W _y (cm ²)	Z _y (cm ³)	r _y (cm)	J (cm ⁴)	C _w (cm ⁵)	Q _w (cm ³ /m)	u (m ² /m)									
CVS550x293	S550-8	400	31,5	550	25	293,4	373,75	193642	7041,5	8015,4	22,76	33663	1683,2	2596,1	9,49	1103,5	22623368	4008	2,65										
CVS550x319	S550-9	400	37,5	550	22,4	319,0	406,40	217349	7903,6	8951,0	23,13	40044	2002,2	3059,6	9,93	1598,3	26294839	4476	2,66										
CVS550x329	S550-10	400	37,5	550	25	328,7	418,75	219871	7988,0	9097,7	22,90	40062	2003,1	3074,2	9,78	1673,2	26306238	4549	2,65										
CVS550x361	S550-11	400	44,5	550	22,4	360,5	459,26	246298	8956,3	10188,0	23,16	47510	2375,5	3617,8	10,17	2539,3	30350506	5094	2,66										
CVS550x370	S550-12	400	44,5	550	25	369,9	471,25	248420	9033,5	10326,2	22,96	47327	2376,3	3632,0	10,04	2613,2	30361269	5163	2,65										
CVS600x156	S600-1	400	16	600	12,5	156,2	199,00	128254	4275,1	4745,8	25,39	17076	853,8	1302,2	9,26	147,2	14559605	2373	2,78										
CVS600x190	S600-2	400	19	600	16	189,9	241,92	151986	5066,2	5679,0	25,06	20286	1014,3	1556,0	9,16	262,2	17119279	2839	2,77										
CVS600x210	S600-3	400	22,4	600	16	210,4	268,03	172356	5745,2	6408,3	25,36	23912	1195,6	1827,5	9,45	378,6	19944146	3204	2,77										
CVS600x226	S600-4	400	25	600	16	226,1	288,00	187600	6239,3	6960,0	25,52	26685	1334,3	2035,2	9,63	495,2	22057184	3480	2,77										
CVS600x239	S600-5	400	25	600	19	239,0	304,50	191759	6392,0	7186,9	25,09	26698	1334,9	2049,6	9,36	548,1	22067651	3593	2,76										
CVS600x278	S600-6	400	31,5	600	19	277,9	354,03	228338	7611,3	8332,9	25,40	33631	1681,5	2568,5	9,75	963,5	27172949	4266	2,76										
CVS600x292	S600-7	400	31,5	600	22,4	292,2	372,29	232726	7757,5	8778,0	25,00	33650	1682,5	2587,4	9,51	1046,5	27188788	4389	2,76										
CVS600x328	S600-8	400	37,5	600	22,4	327,8	417,60	264668	8822,3	9981,0	25,18	40049	2002,5	3065,9	9,79	1617,0	31679521	4991	2,75										
CVS600x339	S600-9	400	37,5	600	25	338,5	431,25	267803	8926,8	10160,2	24,92	40068	2003,4	3082,0	9,64	1699,2	31694698	5080	2,75										
CVS600x369	S600-10	400	44,5	600	22,4	369,3	470,46	300131	10004,4	11350,2	25,26	47515	2375,7	3624,1	10,05	2558,0	36655112	5675	2,76										
CVS650x211	S650-1	450	19	650	16	211,1	268,92	200828	6179,3	6893,2	27,33	28877	1283,4	1962,9	10,36	291,9	28744377	3447	3,07										
CVS650x234	S650-2	450	22,4	650	16	234,3	298,43	228156	7020,2	7791,3	27,65	34041	1512,9	2306,7	10,68	422,9	33519985	3896	3,07										
CVS650x252	S650-3	450	25	650	16	252,0	321,00	248644	7650,6	8471,3	27,83	37989	1688,4	2569,7	10,88	554,1	37098857	4236	3,07										
CVS650x266	S650-4	450	25	650	19	266,1	339,00	254044	7816,7	8741,3	27,38	38003	1689,0	2585,4	10,59	611,6	37113249	4371	3,06										
CVS650x282	S650-5	450	25	650	22,4	282,1	359,40	260164	8005,0	9047,3	26,91	38025	1690,0	2606,5	10,29	702,9	37133737	4524	3,06										
CVS650x310	S650-6	450	31,5	650	19	310,1	395,03	303386	9335,0	10403,9	27,71	47874	2127,7	3242,4	11,01	1079,1	45784738	5202	3,06										
CVS650x326	S650-7	450	31,5	650	22,4	325,8	414,99	309117	9511,3	10696,8	27,29	47896	2128,7	3263,0	10,74	1169,4	45805231	5348	3,06										
CVS650x351	S650-8	450	37,5	650	19	350,7	446,75	347034	10678,0	11906,4	27,87	56986	2532,7	3848,8	11,29	1722,1	53446627	5953	3,06										
CVS650x366	S650-9	450	37,5	650	22,4	366,0	466,30	352421	10843,7	12187,4	27,49	57007	2533,6	3869,0	11,06	1811,5	53466313	6094	3,06										
CVS650x413	S650-10	450	44,5	650	22,4	413,0	526,16	400707	12329,4	13887,6	27,60	67637	3006,1	4576,0	11,34	2870,5	61994352	6944	3,06										
CVS650x461	S650-11	450	50	650	25	461,2	587,50	440599	13556,9	15390,6	27,39	76009	3378,2	5148,4	11,37	4062,5	68408203	7695	3,05										
CVS700x214	S700-1	500	19	700	12,5	214,1	272,75	250564	7159,0	7839,0	30,31	39594	1583,8	2400,9	12,05	273,0	45905508	3920	3,38										
CVS700x232	S700-2	500	19	700	16	232,3	295,92	259026	7400,7	8222,5	29,59	39606	1584,2	2417,4	11,57	321,6	45919214	4111	3,37										
CVS700x278	S700-3	500	25	700	16	277,9	354,00	321513	9186,1	10127,5	30,14	52106	2084,8	3166,6	12,13	613,0	59551444	5064	3,37										
CVS700x293	S700-4	500	25	700	19	293,2	373,50	328378	9382,2	10444,4	29,65	52120	2084,8	3183,7	11,81	675,2	59368491	5222	3,36										
CVS700x327	S700-5	500	31,5	700	16	327,3	416,92	386651	11047,2	12152,0	30,45	65647	2625,9	3978,3	12,55	1133,1	73342552	6076	3,37										
CVS700x342	S700-6	500	31,5	700	19	342,3	436,03	393113	11233,8	12456,3	30,03	65661	2626,5	3995,0	12,27	1194,7	73358938	6228	3,36										
CVS750x284	S750-1	500	25	750	16	284,2	362,00	374379	9983,4	11022,5	32,16	52107	2084,3	3169,8	12,00	619,8	68472153	5511	3,47										
CVS750x301	S750-2	500	25	750	19	300,7	389,00	382954	10212,1	11390,0	31,62	52123	2084,9	3188,2	11,67	686,6	68493332	5695	3,46										
CVS750x334	S750-3	500	31,5	750	16	333,6	424,92	450034	12000,9	13204,3	32,54	65648	2625,9	3981,5	12,43	1140,0	82762558	6602	3,47										
CVS750x350	S750-4	500	31,5	750	19	349,7	445,53	458140	12217,1	13558,2	32,07	65664	2626,6	3999,5	12,14	1206,1	84746673	6779	3,46										
CVS800x288	S800-1	550	22,4	800	16	288,3	367,23	430003	10750,1	11861,3	34,22	62139	2259,6	3436,3	13,01	518,3	93932860	5931	3,77										
CVS800x310	S800-2	550	25	800	16	310,1	395,00	469923	11739,1	12906,3	34,47	69349	2521,8	3829,3	13,25	678,7	104131132	6453	3,77										
CVS800x328	S800-3	550	25	800	19	327,7	417,50	479870	11996,7	13328,1	33,90	69366	2522,4	3848,9	12,89	750,1	104157062	6664	3,76										

AREA:

SHEET 22 of 53

TITLE:

STRUCTURE PLATES AND PROFILES CATALOGUE

INTERNAL

ESUP

Table 16 – Properties and dimensions of CVS type profiles (4/4)

Name	Dimensions (mm)						X axis						Y axis							
	Original	FEM softwares	b _r	t _r	d	t _w	kg/m	Area (cm ²)	I _x (cm ⁴)	W _x (cm ³)	Z _x (cm ³)	r _x (cm)	I _y (cm ⁴)	W _y (cm ³)	Z _y (cm ³)	r _y (cm)	J (cm ⁴)	C _w (cm ⁶)	Q _w (cm ³)	u (m ² /m)
CVS800x365	S800-4		550	31,5	800	16	364,6	464,42	565262	14131,6	15486,9	34,89	87372	3177,2	4811,5	13,72	1251,0	129003111	7743	3,77
CVS800x382	S800-5		550	31,5	800	19	381,9	486,53	575270	14381,8	15894,3	34,39	87389	3177,8	4830,9	13,40	1321,8	129028166	7947	3,76
CVS850x336	S850-1		600	25	850	16	336,0	428,00	578892	13621,0	14935,0	36,78	90027	3000,9	4551,2	14,50	737,6	153187089	7468	4,07
CVS850x355	S850-2		600	25	850	19	354,8	452,00	591692	13922,2	15415,0	36,18	90046	3001,5	4572,2	14,11	813,6	153218432	7708	4,06
CVS850x396	S850-3		600	31,5	850	16	395,6	503,92	698400	16433,0	17947,1	37,23	113427	3780,9	5720,4	15,00	1362,0	189973619	8974	4,07
CVS850x414	S850-4		600	31,5	850	19	414,1	527,53	710587	16719,7	18411,7	36,70	113445	3781,5	5741,0	14,66	1437,4	190003969	9206	4,06
CVS900x342	S900-1		600	25	900	16	342,3	436,00	656258	14583,5	16015,0	38,80	90029	3001,0	4554,4	14,37	744,5	172321158	8008	4,17
CVS900x362	S900-2		600	25	900	19	362,3	461,50	671611	14924,7	16556,9	38,15	90049	3001,6	4576,7	13,97	825,1	172358619	8278	4,16
CVS900x402	S900-3		600	31,5	900	16	401,9	511,92	791302	17584,5	19216,9	39,32	113429	3781,0	5723,6	14,89	1368,8	213895727	9608	4,17
CVS900x422	S900-4		600	31,5	900	19	421,6	537,03	805962	17910,3	19742,4	38,74	113448	3781,6	5745,5	14,53	1448,8	213932069	9871	4,16
CVS950x368	S950-1		650	25	950	16	368,2	469,00	792565	16685,6	18271,3	41,11	114458	3521,8	5338,9	15,62	803,4	244832395	9136	4,47
CVS950x389	S950-2		650	25	950	19	389,4	496,00	810790	17069,3	18878,8	40,43	114479	3522,4	5362,5	15,19	888,6	244876722	9439	4,46
CVS950x433	S950-3		650	31,5	950	16	432,9	551,42	957066	20148,8	21953,4	41,66	144208	4437,2	6711,1	16,17	1479,8	304150750	10977	4,47
CVS950x454	S950-4		650	31,5	950	19	453,8	578,03	974513	20516,1	22543,4	41,06	144229	4437,8	6734,4	15,80	1564,4	304193825	11272	4,46
CVS1000x394	S1000-1		700	25	1000	16	394,1	502,00	946296	18923,9	20672,5	43,42	142949	4084,3	6185,8	16,87	862,3	339727455	10336	4,77
CVS1000x416	S1000-2		700	25	1000	19	416,4	530,50	967730	19354,6	21349,4	42,71	142971	4084,9	6210,7	16,42	952,1	339779439	10675	4,76
CVS1000x464	S1000-3		700	31,5	1000	16	463,9	590,92	1144189	22883,8	24867,3	44,00	180107	5145,9	7777,5	17,46	1590,8	422347385	12434	4,77
CVS1000x486	S1000-4		700	31,5	1000	19	485,9	619,03	1164755	23295,1	25252,8	43,38	180129	5146,5	7802,1	17,06	1680,0	422397977	12763	4,76

4.3.1.5.CS type

Column-type welded profile with $\frac{d}{b_f} = 1$ relation as per indicated on ABNT NBR 5884:2013 [1].

Table 17 to Table 20 present their properties and dimensions.

Table 17 – Properties and dimensions of CS type profiles (1/4)

Name	Dimensions (mm)							X axis											Y axis					
	Original	FEM softwares	b_f	t_f	d	t_w	kg/m	Area (cm²)	I_x (cm⁴)	W_x (cm³)	Z_x (cm²)	r_x (cm)	I_y (cm⁴)	W_y (cm³)	Z_y (cm²)	r_y (cm)	J (cm⁴)	C_w (cm⁵)	Q_w (m³/m)	u (m²/m)				
CS150x25	C150-1		150	8	150	6,3	25,5	32,44	1337	178,3	198,7	6,42	450	60,0	91,3	3,73	6,3	22699	99	0,89				
CS150x29	C150-2		150	9,5	150	6,3	28,9	36,75	1527	203,6	227,2	6,45	535	71,3	108,2	3,81	9,7	26385	114	0,89				
CS150x31	C150-3		150	9,5	150	8	30,6	38,98	1559	207,8	234,5	6,32	535	71,3	109,0	3,70	11,0	26399	117	0,88				
CS150x37	C150-4		150	12,5	150	8	37,3	47,50	1908	254,3	289,1	6,34	704	93,8	142,6	3,85	21,9	33259	145	0,88				
CS150x45	C150-5		150	16	150	8	45,1	57,44	2274	303,3	349,4	6,29	901	120,1	181,9	3,96	43,2	40424	175	0,88				
CS200x29	C200-1		200	6,3	200	6,3	29,0	37,01	2710	271,0	299,4	8,56	840	84,0	127,9	4,77	4,9	78828	150	1,19				
CS200x34	C200-2		200	8	200	6,3	34,2	43,59	3278	327,8	360,5	8,67	1067	106,7	161,8	4,95	8,4	98339	180	1,19				
CS200x39	C200-3		200	9,5	200	6,3	38,8	49,40	3762	376,2	413,5	8,73	1267	126,7	191,8	5,06	13,0	114953	207	1,19				
CS200x41	C200-4		200	9,5	200	8	41,2	52,48	3846	384,6	427,5	8,56	1267	126,7	192,9	4,91	14,7	114989	214	1,18				
CS200x50	C200-5		200	12,5	200	8	50,2	64,00	4758	475,8	530,0	8,62	1667	166,7	252,8	5,10	29,2	146550	265	1,18				
CS200x61	C200-6		200	16	200	8	60,8	77,44	5747	574,7	645,2	8,61	2134	213,4	322,7	5,25	57,8	180626	323	1,18				
CS250x43	C250-1		250	8	250	6,3	43,0	54,74	6531	522,5	570,2	10,92	2084	166,7	252,3	6,17	10,6	305092	285	1,49				
CS250x49	C250-2		250	9,5	250	6,3	48,7	62,05	7519	601,5	655,2	11,01	2474	198,0	299,2	6,31	16,3	357806	328	1,49				
CS250x52	C250-3		250	9,5	250	8	51,8	65,98	7694	615,5	677,9	10,80	2475	198,0	300,6	6,12	18,4	357878	339	1,48				
CS250x63	C250-4		250	12,5	250	8	63,2	80,50	9581	766,5	843,4	10,91	3256	260,5	394,2	6,36	36,6	459171	422	1,48				
CS250x66	C250-5		250	12,5	250	9,5	65,8	83,88	9723	777,9	862,4	10,77	3257	260,5	395,7	6,23	39,3	459262	431	1,48				
CS250x76	C250-6		250	16	250	8	76,5	97,44	11659	932,7	1031,0	10,94	4168	333,4	503,5	6,54	72,3	570502	516	1,48				
CS250x79	C250-7		250	16	250	9,5	79,1	100,71	11788	943,1	1048,9	10,82	4168	333,4	504,9	6,43	75,0	570588	524	1,48				
CS250x84	C250-8		250	16	250	12,5	84,2	107,25	12047	963,8	1084,5	10,60	4170	333,6	508,5	6,24	83,5	570861	542	1,48				
CS250x90	C250-9		250	19	250	9,5	90,4	115,14	13456	1076,5	1204,0	10,81	4949	396,0	598,5	6,56	120,9	660267	602	1,48				
CS250x95	C250-10		250	19	250	12,5	95,4	121,50	13694	1095,5	1237,7	10,62	4951	396,1	602,0	6,38	129,4	660525	619	1,48				
CS250x108	C250-11		250	22,4	250	12,5	108,1	137,65	15451	1236,1	1406,1	10,59	5837	466,9	708,0	6,51	202,1	755875	703	1,48				
CS300x62	C300-1		300	9,5	300	8	62,4	79,48	13509	900,6	985,8	13,04	4276	285,1	432,0	7,33	22,1	902174	493	1,78				
CS300x76	C300-2		300	12,5	300	8	76,1	97,00	16894	1126,3	1229,4	13,20	5626	375,1	566,9	7,62	44,0	1162596	615	1,78				
CS300x92	C300-3		300	16	300	8	92,2	117,44	20661	1377,4	1506,8	13,26	7201	480,1	724,3	7,83	86,8	1452039	753	1,78				
CS300x95	C300-4		300	16	300	9,5	95,3	121,46	20902	1393,5	1533,8	13,12	7202	480,1	726,0	7,70	90,0	1452194	767	1,78				
CS300x102	C300-5		300	16	300	12,5	101,7	129,50	21383	1425,5	1587,7	12,85	7204	480,3	730,5	7,46	100,4	1452688	794	1,78				
CS300x109	C300-6		300	19	300	9,5	109,0	138,89	23962	1597,5	1764,7	13,13	8552	570,1	860,9	7,85	145,2	1688161	882	1,78				
CS300x115	C300-7		300	19	300	12,5	115,2	146,75	24412	1627,4	1816,2	12,90	8554	570,3	865,2	7,63	155,5	1688633	908	1,78				
CS300x122	C300-8		300	19	300	16	122,4	155,92	24936	1662,4	1876,3	12,65	8559	570,6	871,8	7,41	175,5	1689557	938	1,77				
CS300x131	C300-9		300	22,4	300	12,5	130,5	166,30	27680	1845,3	2069,0	12,90	10084	672,3	1018,0	7,79	242,9	1942757	1034	1,77				
CS300x138	C300-10		300	22,4	300	16	137,6	175,23	28165	1877,7	2126,0	12,68	10089	672,6	1024,3	7,59	262,7	1943635	1063	1,77				
CS300x149	C300-11		300	25	300	16	149,2	190,00	30521	2034,7	2312,5	12,67	11259	750,6	1141,0	7,70	350,0	2128566	1156	1,77				
CS350x89	C350-1		350	12,5	350	8	89,1	113,50	27217	1555,3	1687,8	15,49	8934	510,5	770,8	8,87	51,3	2544004	844	2,08				
CS350x93	C350-2		350	12,5	350	9,5	92,9	118,38	27646	1579,8	1727,4	15,28	8935	510,5	773,0	8,69	55,2	2544271	864	2,08				
CS350x108	C350-3		350	16	350	8	107,9	137,44	33403	1908,8	2072,6	15,59	11435	653,4	985,1	9,12	101,3	3189021	1036	2,08				
CS350x112	C350-4		350	16	350	9,5	111,6	142,21	33805	1931,7	2110,6	15,42	11436	653,5	987,2	8,97	105,1	3189276	1055	2,08				
CS350x119	C350-5		350	16	350	12,5	119,1	151,75	34609	1977,7	2186,4	15,10	11439	653,6	992,4	8,68	117,3	3190086	1093	2,08				
CS350x128	C350-6		350	19	350	9,5	127,7	162,64	38873	2221,3	2432,3	15,46	13579	776,0	1170,8	9,14	169,5	3719408	1216	2,08				

Table 18 – Properties and dimensions of CS type profiles (2/4)

Name	Dimensions (mm)										X axis											Y axis										
	Original	FEM softwares	b _r	t _r	d	t _w	kg/m	Area (cm ²)	I _x (cm ⁴)	W _x (cm ²)	Z _x (cm ²)	r _x (cm)	I _y (cm ⁴)	W _y (cm ²)	Z _y (cm ²)	r _y (cm)	J (cm ⁴)	C _{we} (cm ⁶)	Q _{we} (cm ³)	u (m ² /m)												
CS350x135	C350-7	350	19	350	12,5	135,0	172,00	39633	2264,7	2505,4	15,18	13582	776,1	1175,9	8,89	181,6	3720188	1253	2,08													
CS350x144	C350-8	350	19	350	16	143,6	182,92	40519	2315,3	2590,5	14,88	13588	776,4	1183,7	8,62	205,2	3721714	1295	2,07													
CS350x153	C350-9	350	22,4	350	12,5	153,0	194,95	45097	2577,0	2859,5	15,21	16012	915,0	1383,9	9,06	283,6	4295992	1430	2,08													
CS350x161	C350-10	350	22,4	350	16	161,4	205,63	45926	2624,4	2941,0	14,94	16017	915,3	1391,5	8,83	307,0	4297454	1470	2,07													
CS350x175	C350-11	350	25	350	16	175,1	223,00	49902	2851,5	3203,8	14,76	17875	1021,4	1550,5	8,95	409,0	4720071	1602	2,07													
CS350x182	C350-12	350	25	350	19	182,1	232,00	50577	2890,1	3271,3	14,96	17882	1021,8	1558,3	8,78	438,9	4721895	1636	2,06													
CS350x216	C350-13	350	31,5	350	19	215,9	275,03	59845	3419,7	3902,7	14,75	2326	1287,2	1955,3	9,05	802,1	5712664	1951	2,06													
CS400x106	C400-1	400	12,5	400	9,5	106,5	135,63	41727	2086,3	2271,5	17,54	13336	666,8	1008,5	9,92	63,2	5006214	1136	2,38													
CS400x128	C400-2	400	16	400	9,5	127,9	162,96	51159	2557,9	2779,2	17,72	17069	853,5	1288,3	10,23	120,2	6292425	1390	2,38													
CS400x137	C400-3	400	16	400	12,5	136,6	174,00	52404	2620,2	2880,8	17,35	17073	853,6	1294,4	9,91	134,2	6293664	1440	2,38													
CS400x146	C400-4	400	19	400	9,5	146,3	186,39	58962	2948,1	3206,8	17,79	20269	1013,5	1528,2	10,43	193,8	7355763	1603	2,38													
CS400x155	C400-5	400	19	400	12,5	154,8	197,25	60148	3007,4	3305,1	17,46	20273	1013,6	1534,1	10,14	207,7	7356962	1653	2,38													
CS400x165	C400-6	400	19	400	16	164,8	209,92	61532	3076,6	3419,8	17,12	20279	1014,0	1543,2	9,83	234,9	7359308	1710	2,37													
CS400x176	C400-7	400	22,4	400	12,5	175,5	223,60	68620	3431,0	3777,6	17,52	23899	1195,0	1805,9	10,34	324,3	8518945	1889	2,38													
CS400x185	C400-8	400	22,4	400	16	185,3	236,03	69927	3496,3	3888,0	17,21	23905	1195,3	1814,7	10,06	351,3	8521206	1944	2,37													
CS400x201	C400-9	400	25	400	16	201,0	256,00	76133	3806,7	4240,0	17,25	26679	1333,9	2022,4	10,21	467,9	9379200	2120	2,37													
CS400x209	C400-10	400	25	400	19	209,2	266,50	77205	3860,3	4331,9	17,02	26687	1334,3	2031,6	10,01	502,4	9382033	2166	2,36													
CS400x248	C400-11	400	31,5	400	19	248,1	316,03	91817	4590,9	5182,6	17,05	33619	1681,0	2550,4	10,31	917,7	11413088	2591	2,36													
CS450x144	C450-1	450	16	450	9,5	144,2	183,71	73621	3270,0	3539,8	20,02	24303	1080,1	1629,4	11,50	135,3	11444033	1770	2,68													
CS450x154	C450-2	450	16	450	12,5	154,1	196,25	75447	3353,2	3670,8	19,61	24307	1080,3	1636,3	11,13	151,1	11445881	1835	2,68													
CS450x165	C450-3	450	19	450	9,5	165,0	210,14	85001	3777,8	4088,2	20,11	28859	1287,6	1933,0	11,72	218,1	13402282	2044	2,68													
CS450x175	C450-4	450	19	450	12,5	174,7	222,50	86749	3855,5	4215,5	19,75	28863	1287,8	1939,8	11,39	233,8	13404029	2108	2,68													
CS450x188	C450-5	450	22,4	450	9,5	188,5	240,09	97503	4333,5	4700,2	20,15	34023	1512,1	2277,1	11,90	349,4	15552015	2350	2,68													
CS450x198	C450-6	450	22,4	450	12,5	198,0	252,25	99167	4407,4	4823,3	19,83	34027	1512,3	2283,8	11,61	365,0	15559706	2412	2,68													
CS450x209	C450-7	450	22,4	450	16	209,1	266,43	101107	4493,6	4967,0	19,48	34034	1512,6	2293,9	11,30	395,6	15557014	2483	2,67													
CS450x216	C450-8	450	25	450	12,5	215,9	275,00	108385	4817,1	5281,3	19,85	37975	1687,8	2546,9	11,75	496,4	17148204	2641	2,68													
CS450x227	C450-9	450	25	450	16	226,9	289,00	110252	4900,1	5421,3	19,53	37982	1688,1	2556,9	11,46	526,8	17151429	2711	2,67													
CS450x236	C450-10	450	25	450	19	236,3	301,00	111852	4971,2	5541,3	19,28	37992	1688,5	2567,4	11,23	565,9	17155588	2771	2,66													
CS450x280	C450-11	450	31,5	450	19	280,3	357,03	133544	5935,3	6643,6	19,34	47863	2127,2	3224,3	11,58	1033,4	20956972	3322	2,66													
CS450x291	C450-12	450	31,5	450	22,4	290,6	370,19	135186	6008,3	6770,9	19,11	47877	2127,9	3237,9	11,37	1094,5	20963158	3385	2,66													
CS450x321	C450-13	450	37,5	450	19	320,9	408,75	152314	6769,5	7628,9	19,30	56975	2532,2	3830,7	11,81	1676,3	24236443	3814	2,66													
CS450x351	C450-14	450	37,5	450	22,4	330,9	421,50	153809	6835,9	7748,4	19,10	56988	2532,8	3843,9	11,63	1736,6	24242267	3874	2,66													
CS500x172	C500-1	500	16	500	12,5	171,5	218,50	104414	4176,6	4556,5	21,86	33341	1333,6	2018,3	12,35	168,0	19525794	2278	2,98													
CS500x195	C500-2	500	19	500	12,5	194,5	247,75	120226	4809,0	5236,5	22,03	39591	1583,6	2393,0	12,64	259,9	22899448	2618	2,98													
CS500x207	C500-3	500	19	500	16	207,2	263,92	123102	4924,1	5423,3	21,60	39599	1584,0	2404,6	12,25	294,3	22904220	2712	2,97													
CS500x221	C500-4	500	22,4	500	12,5	220,5	280,90	137656	5506,2	5996,6	22,14	46674	1867,0	2817,8	12,89	405,7	26616097	2998	2,98													
CS500x233	C500-5	500	22,4	500	16	233,0	296,83	140407	5616,3	6177,9	21,75	46682	1867,3	2829,1	12,54	439,9	26620732	3089	2,97													
CS500x253	C500-6	500	25	500	16	252,8	322,00	153296	6131,8	6747,5	21,82	52099	2083,9	3153,8	12,72	585,7	29386919	3374	2,97													
CS500x263	C500-7	500	25	500	19	263,4	335,50	155574	6223,0	6899,4	21,53	52109	2084,4	3165,6	12,46	629,4	29392764	3450	2,96													

AREA:

SHEET

25 of 53

TITLE:

STRUCTURE PLATES AND PROFILES CATALOGUE
INTERNAL
ESUP

Table 19 – Properties and dimensions of CS type profiles (3/4)

Name	Dimensions (mm)						X axis										Y axis					
	Original	FEM softwares	b _t	t _r	d	t _w	kg/m	Area (cm ²)	I _x (cm ⁴)	W _x (cm ³)	Z _x (cm ³)	r _x (cm)	I _y (cm ⁴)	W _y (cm ³)	Z _y (cm ³)	r _y (cm)	J (cm ⁴)	C _w (cm ⁵)	Q _w (cm ³)	u (m ² /m)		
CS500x312	C500-8	500	31,5	500	19	312,5	398,03	186324	7453,0	8286,0	21,64	65650	2626,0	3976,9	12,84	1149,0	36024154	4143	2,96			
CS500x324	C500-9	500	31,5	500	22,4	324,1	412,89	188689	7547,5	8448,3	21,38	65666	2626,6	3992,3	12,61	1217,4	36032907	4224	2,96			
CS500x333	C500-10	500	31,5	500	25	333,0	424,25	190497	7619,9	8572,4	21,19	65682	2627,3	4005,8	12,44	1285,9	36041671	4286	2,95			
CS500x369	C500-11	500	37,5	500	22,4	369,1	470,20	215306	8612,2	9683,4	21,40	78165	3126,6	4740,8	12,89	1931,1	4179851	4842	2,96			
CS500x378	C500-12	500	37,5	500	25	377,8	481,25	216969	8678,8	9800,8	21,23	78180	3127,2	4753,9	12,75	1998,7	41808158	4900	2,95			
CS550x228	C550-1	550	19	550	16	228,4	290,92	165283	6010,3	6597,5	23,84	52703	1916,5	2906,5	13,46	324,0	37150401	3299	3,27			
CS550x257	C550-2	550	22,4	550	16	256,9	327,23	188766	6864,2	7520,9	24,02	62131	2259,3	3420,3	13,78	484,1	43236942	3760	3,27			
CS550x269	C550-3	550	22,4	550	19	268,8	342,39	191989	6981,4	7712,4	23,68	62142	2259,7	3433,6	13,47	532,7	43245037	3856	3,26			
CS550x279	C550-4	550	25	550	16	278,7	355,00	206302	7501,9	8218,8	24,11	69340	2521,5	3813,3	13,69	644,6	47779582	4109	3,27			
CS550x345	C550-6	550	31,5	550	19	344,6	439,03	251459	9144,0	10109,6	23,93	87375	3177,3	4808,3	14,11	1264,6	58725035	5055	3,26			
CS550x368	C550-7	550	31,5	550	22,4	357,6	455,59	254731	9263,0	10311,2	23,65	87392	3177,9	4825,5	13,85	1340,3	58736983	5156	3,26			
CS550x395	C550-8	550	37,5	550	25	367,6	468,25	257234	9354,0	10465,3	23,44	87410	3178,6	4840,5	13,66	1416,1	58748945	5233	3,25			
CS550x407	C550-9	550	37,5	550	22,4	407,3	518,90	291353	10594,7	11833,8	23,70	104029	3782,9	5731,5	14,16	2125,6	68309579	5917	3,26			
CS550x417	C550-10	550	37,5	550	25	417,0	531,25	293675	10679,1	11980,5	23,51	104046	3783,5	5746,1	13,99	2200,5	68320978	5990	3,25			
CS550x441	C550-12	550	37,5	550	31,5	441,3	562,13	299480	10890,2	12347,1	23,08	104108	3785,7	5789,7	13,61	2467,5	68361605	6174	3,24			
CS550x498	C550-13	550	44,5	550	31,5	498,3	634,72	339231	12335,7	14045,7	23,12	123515	4491,4	6845,0	13,95	3757,8	78904462	7023	3,24			
CS600x250	C600-1	600	19	600	16	249,6	317,92	116146	7204,9	7886,8	26,07	68419	2280,6	3456,0	14,67	353,7	57739120	3943	3,57			
CS600x281	C600-2	600	22,4	600	16	280,7	357,63	247125	8237,5	8995,9	26,29	80659	2688,6	4067,5	15,02	528,4	67273953	4498	3,57			
CS600x294	C600-3	600	22,4	600	19	293,8	374,29	251403	8380,1	9227,1	25,92	80672	2689,1	4082,1	14,68	581,6	67284615	4614	3,56			
CS600x305	C600-4	600	25	600	16	304,6	388,00	270308	9010,3	9835,0	26,39	90019	3000,6	4535,2	15,23	703,5	74406142	4918	3,56			
CS600x318	C600-5	600	25	600	19	317,5	404,50	274468	9148,9	10061,9	26,05	90031	3001,0	4549,6	14,92	756,5	74416610	5031	3,56			
CS600x332	C600-6	600	25	600	22,4	332,2	423,20	279182	9306,1	10319,0	25,88	90052	3001,7	4569,0	14,59	840,4	74433205	5160	3,56			
CS600x377	C600-7	600	31,5	600	19	376,8	480,03	330248	11008,3	12114,4	26,23	113431	3781,0	5718,5	15,37	1380,2	91649803	6057	3,56			
CS600x391	C600-8	600	31,5	600	22,4	391,2	498,29	334635	11154,5	12359,5	25,91	113450	3781,7	5737,4	15,09	1463,2	91665641	6180	3,56			
CS600x402	C600-9	600	31,5	600	25	402,1	512,25	337991	11266,4	12547,0	25,69	113470	3782,3	5753,9	14,88	1546,3	91681498	6273	3,55			
CS600x432	C600-10	600	37,5	600	19	431,6	549,75	379396	12646,5	13965,5	26,27	135030	4501,0	6797,4	15,67	2238,0	106810846	6983	3,56			
CS600x446	C600-11	600	37,5	600	22,4	445,6	567,60	383496	12783,2	14199,8	25,99	135049	4501,6	6815,9	15,42	2402,3	106826006	7100	3,56			
CS600x456	C600-12	600	37,5	600	25	456,3	581,25	386631	12887,7	14378,9	25,79	135068	4502,3	6832,0	15,24	2402,3	106841183	7189	3,55			
CS600x546	C600-14	600	44,5	600	31,5	545,5	694,97	447862	14928,7	16888,2	25,39	160393	5944,4	8136,8	15,19	4103,6	123689069	8444	3,54			
CS650x305	C650-1	650	22,4	650	16	304,6	388,03	316423	9736,1	10602,9	28,56	102547	3155,3	4770,7	16,26	572,7	100978801	5301	3,87			
CS650x319	C650-2	650	22,4	650	19	318,9	406,19	321965	9906,6	10877,6	28,18	102561	3155,7	4786,6	15,89	630,5	100992523	5439	3,86			
CS650x330	C650-3	650	25	650	16	330,5	421,00	346352	10596,3	11596,3	28,68	114448	3521,9	5319,7	16,49	762,4	111765199	5798	3,87			
CS650x345	C650-4	650	25	650	19	344,6	439,00	351752	10823,1	11866,3	28,31	114461	3521,9	5335,4	16,15	820,0	111778690	5933	3,86			
CS650x361	C650-5	650	25	650	22,4	360,6	459,40	357872	11011,4	12172,3	27,91	114483	3522,6	5356,5	15,79	911,2	111800079	6086	3,86			
CS650x395	C650-6	650	31,5	650	16	395,2	503,42	418935	12890,3	14042,1	28,85	144198	4436,9	6691,9	16,92	1438,9	137904723	7021	3,87			
CS650x409	C650-7	650	31,5	650	19	409,0	521,03	423991	13045,9	14300,5	28,53	144212	4437,3	6707,4	16,64	1495,8	137917648	7150	3,86			

Table 20 – Properties and dimensions of CS type profiles (4/4)

Name	Dimensions (mm)										X axis										Y axis									
	Original	FEM softwares	b _r	t _r	d	t _w	kg/m	Area (cm ²)	I _x (cm ⁴)	W _x (cm ²)	Z _x (cm ³)	r _x (cm)	I _y (cm ⁴)	W _y (cm ²)	Z _y (cm ³)	r _y (cm)	J (cm ⁴)	C _w (cm ⁶)	Q _w (cm ³)	u (m ² /m)										
CS650x425	C650-8	650	31,5	650	22,4	424,7	540,99	429722	13222,2	14593,4	28,18	144233	4437,9	6728,0	16,33	1586,1	137938141	7297	3,86											
CS650x437	C650-9	650	31,5	650	25	436,7	556,25	434104	13357,1	14817,3	27,94	144255	4438,6	6746,1	16,10	1676,6	137958657	7409	3,85											
CS650x468	C650-10	650	37,5	650	19	488,4	596,75	487894	15012,1	16500,2	28,59	171673	5282,3	7973,8	16,96	2425,2	161010958	8250	3,86											
CS650x484	C650-11	650	37,5	650	22,4	483,8	616,30	493280	15177,8	16781,2	28,29	171694	5282,9	7994,0	16,69	2514,6	161030644	8391	3,86											
CS650x496	C650-12	650	37,5	650	25	495,5	631,25	497399	15304,6	16996,1	28,07	171715	5283,6	8011,7	16,49	2604,2	161050353	8498	3,85											
CS650x525	C650-13	650	37,5	650	31,5	524,9	668,63	507697	15621,4	17533,4	27,56	171790	5285,9	8064,5	16,03	2923,3	161120599	8767	3,84											
CS650x593	C650-14	650	44,5	650	31,5	592,8	755,22	577540	17770,5	19992,5	27,65	203826	6271,6	9539,8	16,43	4449,4	186822245	9996	3,84											
CS700x389	C700-1	700	25	700	22,4	389,0	495,60	450118	12860,5	14178,5	30,14	142978	4085,1	6206,5	16,99	982,1	162860362	7089	4,16											
CS700x426	C700-2	700	31,5	700	16	426,2	542,92	527527	15072,2	16363,5	31,17	180097	5145,6	7758,3	18,21	1549,9	201209597	8182	4,17											
CS700x441	C700-3	700	31,5	700	19	441,2	562,03	533989	15258,8	16667,8	30,82	180111	5146,0	7775,0	17,90	1611,4	201225983	8334	4,16											
CS700x458	C700-4	700	31,5	700	22,4	458,2	583,69	541312	15466,1	17012,7	30,45	180135	5146,7	7797,4	17,57	1709,1	201251962	8506	4,16											
CS700x471	C700-5	700	31,5	700	25	471,2	600,25	546912	15626,1	17276,5	30,19	180158	5147,4	7817,0	17,32	1806,8	201277971	8638	4,15											
CS700x505	C700-6	700	37,5	700	19	505,3	643,75	615335	17581,0	19246,1	30,92	214411	6126,0	9243,9	18,25	2612,4	235265517	9623	4,16											
CS700x522	C700-7	700	37,5	700	22,4	522,0	665,00	622253	17778,6	19578,1	30,59	214434	6126,7	9265,9	17,96	2709,1	235290551	9789	4,16											
CS700x535	C700-8	700	37,5	700	25	534,8	681,25	627542	17929,8	19832,0	30,35	214456	6127,3	9285,2	17,74	2806,0	235315614	9916	4,15											
CS700x567	C700-9	700	37,5	700	31,5	566,7	721,88	640767	18307,6	20466,8	29,79	214538	6129,7	9342,5	17,24	3151,2	235404943	10233	4,14											
CS700x640	C700-10	700	44,5	700	31,5	640,1	815,47	730131	20860,9	23358,7	29,92	254551	7272,9	11054,1	17,67	4795,3	273438640	11679	4,14											
CS750x417	C750-1	750	25	750	22,4	417,5	531,80	556995	14853,2	16337,8	32,36	175847	4689,2	7119,1	18,18	1052,9	231073703	8169	4,46											
CS750x457	C750-2	750	31,5	750	16	457,2	582,42	653434	17424,9	18862,4	33,50	221508	5906,9	8903,3	19,50	1660,9	285879244	9431	4,47											
CS750x473	C750-3	750	31,5	750	19	473,4	603,03	661540	17641,1	19216,4	33,12	221524	5907,3	8921,4	19,17	1727,1	285899659	9608	4,46											
CS750x492	C750-4	750	31,5	750	22,4	491,7	626,39	670727	17886,1	19617,6	32,72	221549	5908,6	8945,6	18,81	1832,0	285932025	9809	4,46											
CS750x506	C750-5	750	31,5	750	25	505,7	644,25	677752	18073,4	19924,4	32,43	221574	5908,6	8966,7	18,55	1937,0	285964429	9962	4,45											
CS750x542	C750-6	750	37,5	750	19	542,2	690,75	763246	20353,2	22203,3	33,24	263710	7032,3	10607,8	19,54	2799,6	334685654	11102	4,46											
CS750x560	C750-7	750	37,5	750	22,4	560,3	713,70	771960	20585,6	22590,6	32,89	263735	7032,9	10631,5	19,22	2903,7	334716926	11295	4,46											
CS750x574	C750-8	750	37,5	750	25	574,0	731,25	778623	20763,3	22886,7	32,63	263760	7033,6	10652,3	18,99	3007,8	334748234	11443	4,45											
CS750x608	C750-9	750	37,5	750	31,5	608,5	775,13	795282	21207,5	23627,1	32,03	263848	7035,9	10714,3	18,45	3379,0	334859821	11814	4,44											
CS750x687	C750-10	750	44,5	750	31,5	687,4	875,72	907500	24200,0	26986,8	32,19	313063	8348,3	12679,6	18,91	5141,1	389552055	13493	4,44											

4.3.2. ANGLE BAR

Rolled profiles obtained from ABNT NBR 15980:2011 – Perfis laminados de aço para uso estrutural – Dimensões e tolerâncias [2]. Figure 2 presents its cross section and Table 21 and Table 22 present their properties and dimensions.

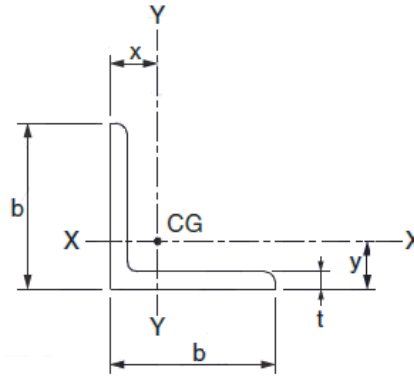


Figure 2 – Angle bar

Table 21 – Properties and dimensions of Angle bars (1/2)

Name	Dimensions (mm)										X axis = Y axis									
	Original	FEM softwares	b	t	kg/m	Area (cm ²)	I _x (cm ⁴)	W _x (cm ³)	Z _x (cm ³)	r _x (cm)	x _{cg} (mm)	J (cm ⁴)	C _w (cm ⁵)	r _{xy} (cm)	r _o (cm)	u (m ² /m)				
L13x3.2	L13-1		12,7	3,18	0,55	0,707	0,1	0,11	0,21	0,37	4,31	0,024	0,002	0,25	0,68	0,05				
L16x3.2	L16-1		15,9	3,18	0,7	0,910	0,2	0,19	0,34	0,47	5,12	0,031	0,005	0,31	0,84	0,06				
L19x3.2	L19-1		19,1	3,18	0,9	1,114	0,4	0,28	0,50	0,57	5,93	0,038	0,010	0,37	1,00	0,08				
L22x3.2	L22-1		22,2	3,18	1,0	1,311	0,6	0,38	0,69	0,67	6,71	0,044	0,016	0,43	1,16	0,09				
L25x3.2	L25-1		25,4	3,18	1,2	1,514	0,9	0,51	0,91	0,77	7,52	0,051	0,024	0,50	1,33	0,10				
L25x4.8	L25-2		25,4	4,76	1,7	2,192	1,2	0,72	1,30	0,75	8,07	0,166	0,073	0,49	1,34	0,10				
L25x6.4	L25-3		25,4	6,35	2,2	2,823	1,5	0,91	1,65	0,74	8,62	0,379	0,156	0,50	1,35	0,10				
L32x3.2	L32-1		31,8	3,18	1,5	1,921	1,8	0,81	1,46	0,98	9,12	0,065	0,049	0,63	1,66	0,13				
L32x4.8	L32-2		31,8	4,76	2,2	2,801	2,6	1,16	2,10	0,96	10,24	0,489	0,334	0,62	1,67	0,13				
L32x6.4	L32-3		31,8	6,35	2,9	3,635	3,2	1,49	2,68	0,94	10,24	0,489	0,334	0,62	1,68	0,13				
L38x3.2	L38-1		38,1	3,18	1,8	2,322	3,2	1,18	2,13	1,18	10,70	0,078	0,087	0,75	1,98	0,15				
L38x4.8	L38-2		38,1	4,76	2,7	3,401	4,6	1,71	3,07	1,16	11,27	0,257	0,273	0,75	1,99	0,15				
L38x6.4	L38-3		38,1	6,35	3,5	4,435	5,8	2,20	3,96	1,14	11,83	0,596	0,606	0,74	2,00	0,15				
L44x3.2	L44-1		44,5	3,18	2,1	2,729	5,3	1,63	2,94	1,39	12,30	0,092	0,141	0,88	2,32	0,18				
L44x4.8	L44-2		44,5	4,76	3,1	4,010	7,5	2,36	4,26	1,37	12,88	0,303	0,45	0,87	2,32	0,18				
L44x6.4	L44-3		44,5	6,35	4,1	5,248	9,5	3,06	5,51	1,34	13,45	0,705	1,00	0,87	2,33	0,18				
L51x3.2	L51-1		50,8	3,18	2,5	3,130	7,9	2,14	3,86	1,59	13,88	0,105	0,21	1,01	2,64	0,20				
L51x4.8	L51-2		50,8	4,76	3,6	4,610	11,3	3,12	5,62	1,57	14,46	0,348	0,68	1,00	2,65	0,20				
L51x6.4	L51-3		50,8	6,35	4,7	6,048	14,5	4,04	7,29	1,55	15,03	0,813	1,54	0,99	2,65	0,20				
L51x7.9	L51-4		50,8	7,94	5,8	7,437	17,3	4,92	8,87	1,53	15,59	1,563	2,86	0,99	2,66	0,20				
L51x9.5	L51-5		50,8	9,52	6,9	8,766	19,9	5,75	10,37	1,51	16,15	2,648	4,68	0,99	2,67	0,20				
L64x4.8	L64-1		63,5	4,76	4,6	5,819	22,7	4,96	8,93	1,98	17,64	0,439	1,37	1,26	3,31	0,25				
L64x6.4	L64-2		63,5	6,35	6,0	7,661	29,3	6,46	11,64	1,95	18,21	1,030	3,12	1,25	3,31	0,25				
L64x7.9	L64-3		63,5	7,94	7,4	9,453	35,3	7,90	14,24	1,93	18,79	1,987	5,87	1,24	3,32	0,25				
L64x9.5	L64-4		63,5	9,52	8,8	11,184	40,9	9,27	16,72	1,91	19,35	3,379	9,71	1,24	3,33	0,25				
L76x4.8	L76-1		76,2	4,76	5,5	7,028	40,0	7,22	13,01	2,39	20,82	0,531	2,41	1,51	3,96	0,30				
L76x6.4	L76-2		76,2	6,35	7,3	9,274	51,8	9,45	17,02	2,36	21,40	1,247	5,54	1,50	3,97	0,30				
L76x7.9	L76-3		76,2	7,94	9,0	11,470	62,9	11,59	20,89	2,34	21,97	2,410	10,48	1,50	3,97	0,30				
L76x9.5	L76-4		76,2	9,52	10,7	13,602	73,2	13,64	24,59	2,32	22,54	4,109	17,48	1,49	3,98	0,30				
L76x11.1	L76-5		76,2	11,11	12,3	15,697	83,0	15,64	28,19	2,30	23,11	6,459	26,86	1,49	3,99	0,30				
L76x12.7	L76-6		76,2	12,7	13,9	17,742	92,3	17,56	31,66	2,28	23,67	9,539	38,78	1,48	4,00	0,30				
L89x6.4	L89-1		88,9	6,35	8,5	10,887	83,7	13,01	23,42	2,77	24,58	1,463	8,96	1,76	4,63	0,36				
L89x7.9	L89-2		88,9	7,94	10,6	13,487	102,0	15,99	28,81	2,75	25,16	2,834	17,04	1,75	4,63	0,36				
L89x9.5	L89-3		88,9	9,52	12,6	16,020	119,2	18,87	34,00	2,73	25,73	4,840	28,55	1,74	4,64	0,36				
L102x6.4	L102-1		101,6	6,35	9,8	12,500	126,5	17,13	30,85	3,18	27,76	1,680	13,56	2,02	5,29	0,41				
L102x7.9	L102-2		101,6	7,94	12,2	15,504	154,6	21,11	38,02	3,16	28,34	3,258	25,88	2,01	5,29	0,41				
L102x9.5	L102-3		101,6	9,52	14,5	18,438	181,3	24,95	44,94	3,14	28,91	5,570	43,53	2,00	5,29	0,41				
L102x11.1	L102-4		101,6	11,11	16,8	21,341	207,0	28,70	51,72	3,11	29,49	8,781	67,50	1,99	5,30	0,41				
L102x12.7	L102-5		101,6	12,7	19,0	24,194	231,5	32,36	58,31	3,09	30,06	13,007	98,34	1,99	5,31	0,41				

AREA:

SHEET 29 of 53

TITLE:

STRUCTURE PLATES AND PROFILES CATALOGUE

INTERNAL

ESUP

Table 22 – Properties and dimensions of Angle bars (2/2)

Name	Dimensions (mm)				X axis = Y axis													
	Original	FEM softwares	b	t	kg/m	Area (cm ²)	I _x (cm ⁴)	W _x (cm ³)	Z _x (cm ³)	r _x (cm)	X _g (mm)	X _p (mm)	J (cm ⁴)	C _w (cm ⁶)	r _{xy} (cm)	r ₀ (cm)	H	u (m ² /m)
L102x15.9	L102_6	L102_6	101.6	15.88	23.4	29.746	277.3	39.38	71.00	3.05	31.19	14.6	25.004	182.79	1.98	5.33	0.66	0.41
L127x6.4	L127_1	L127_1	127	6.35	12.3	15.726	251.6	27.09	48.77	4.00	34.11	6.2	2.114	27.01	2.54	6.61	0.73	0.51
L127x7.9	L127_2	L127_2	127	7.94	15.3	19.537	308.9	33.47	60.27	3.98	34.70	7.7	4.106	51.79	2.52	6.61	0.72	0.51
L127x9.5	L127_3	L127_3	127	9.52	18.3	23.274	363.8	39.66	71.43	3.95	35.27	9.2	7.031	87.55	2.51	6.61	0.72	0.51
L127x11.1	L127_4	L127_4	127	11.11	21.2	26.985	417.0	45.75	82.41	3.93	35.85	10.6	11.103	136.46	2.50	6.62	0.71	0.51
L127x12.7	L127_5	L127_5	127	12.7	24.1	30.645	468.3	51.70	93.15	3.91	36.43	12.1	16.476	199.86	2.50	6.62	0.70	0.51
L127x15.9	L127_6	L127_6	127	15.88	29.7	37.813	565.3	63.21	113.93	3.87	37.57	14.9	31.785	375.47	2.48	6.63	0.68	0.51
L127x19.1	L127_7	L127_7	127	19.05	35.1	44.758	655.2	74.21	133.78	3.83	38.70	17.6	54.143	622.66	2.48	6.65	0.66	0.51
L152x9.5	L152_1	L152_1	152.4	9.52	22.1	28.111	640.1	57.79	104.07	4.77	41.63	9.2	8.492	154.26	3.03	7.93	0.72	0.61
L152x12.7	L152_2	L152_2	152.4	12.7	29.1	37.097	828.6	75.60	136.17	4.73	42.79	12.2	19.944	354.52	3.01	7.94	0.71	0.61
L152x15.9	L152_3	L152_3	152.4	15.88	36.0	45.880	1005.8	92.74	167.09	4.68	43.95	15.1	38.566	670.69	2.99	7.95	0.69	0.61
L152x19.1	L152_4	L152_4	152.4	19.05	42.7	54.435	1171.9	109.20	196.81	4.64	45.09	17.9	65.849	1120.16	2.98	7.96	0.68	0.61
L203x15.9	L203_1	L203_1	203.2	15.88	48.7	62.015	2474.3	168.87	304.15	6.32	56.67	15.3	52.128	1656.22	4.02	10.58	0.71	0.81
L203x19.1	L203_2	L203_2	203.2	19.05	57.9	73.790	2902.7	199.67	359.71	6.27	57.83	18.2	89.262	2790.19	4.00	10.59	0.70	0.81
L500x258x16	L500_1	L500_1	258	16	93.2	118.720	31955.2	971.50	1702.77	16.41	171.07	11.9	101.308	15328.20	5.72	18.62	0.93	1.52
L500x262.5x25	L500_2	L500_2	262.5	25	144.7	184.375	48778.5	1494.06	2620.12	16.27	173.52	18.4	384.115	57067.02	5.75	18.65	0.91	1.53

4.3.3. CHANNEL BAR

Rolled profiles obtained from ABNT NBR 15980:2011 – Perfis laminados de aço para uso estrutural – Dimensões e tolerâncias [2]. Figure 3 presents its cross section and Table 23 presents their properties and dimensions.

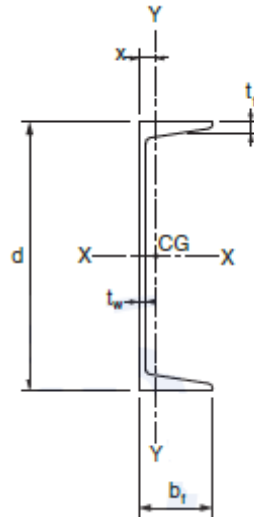


Figure 3 – Channel bar

AREA:

SHEET 31 of 53

TITLE:

STRUCTURE PLATES AND PROFILES CATALOGUE
INTERNAL
ESUP

Table 23 – Properties and dimensions of Channel bars

Name	Dimensions (mm)							X axis							Y axis							
	Original	FEM softwares	b _t	t _r	d	t _w	kg/m	Area (cm ²)	I _x (cm ⁴)	W _x (cm ³)	Z _x (cm ³)	r _x (cm)	I _y (cm ⁴)	W _y (cm ³)	Z _y (cm ³)	r _y (cm)	x _g (mm)	x ₀ (mm)	J (cm ⁴)	C _w (cm ⁵)	r ₀ (cm)	u (m ² /m)
U76x6.1	U76-1		35,81	6,93	76,2	4,32	6,1	7,66	68	18,0	21,4	2,99	10	4,1	7,4	1,12	12,4	11,6	0,9	93	4,0	0,29
U76x7.4	U76-2		38,05	6,93	76,2	6,55	7,4	9,36	77	20,1	24,6	2,86	12	4,7	8,5	1,14	12,2	9,8	1,4	102	3,8	0,29
U102x8	U102-1		40,23	7,52	101,6	4,67	8,0	10,09	159	31,4	37,2	3,97	16	5,8	10,6	1,25	13,0	12,7	1,4	283	4,9	0,35
U102x9.3	U102-2		41,83	7,52	101,6	6,27	9,3	11,72	173	34,1	41,3	3,85	19	6,4	11,5	1,26	12,7	11,2	1,9	300	4,7	0,36
U102x10.8	U102-3		43,71	7,52	101,6	8,2	10,8	13,67	190	37,4	46,3	3,73	22	7,0	12,7	1,26	12,6	9,6	2,9	319	4,5	0,36
U152x12.2	U152-1		48,77	8,71	152,4	5,08	12,2	15,35	543	71,3	84,2	5,95	35	10,3	18,6	1,51	14,6	15,1	2,7	1498	6,8	0,49
U152x15.6	U152-2		51,66	8,71	152,4	7,98	15,6	19,77	629	82,5	101,0	5,64	44	11,7	21,1	1,49	13,9	12,3	4,5	1626	6,4	0,50
U152x19.4	U152-3		54,79	8,71	152,4	11,1	19,4	24,53	721	94,6	119,1	5,42	53	13,1	24,6	1,47	14,1	9,6	8,7	1773	6,1	0,50
U203x17.1	U203-1		57,4	9,5	203,2	5,59	17,1	21,20	1315	129,4	153,0	7,88	66	15,9	28,6	1,76	16,1	17,4	4,2	5113	8,7	0,62
U203x20.5	U203-2		59,51	9,5	203,2	7,7	20,5	25,49	1462	143,9	174,8	7,57	76	17,3	31,1	1,73	15,3	15,0	6,1	5381	8,3	0,63
U254x22.8	U254-1		66,04	11,1	254	6,1	22,8	28,80	2797	220,2	260,0	9,85	118	24,8	44,6	2,03	18,3	20,2	7,6	14825	10,8	0,76
U254x29.8	U254-2		69,57	11,1	254	9,63	29,8	37,77	3279	258,2	316,9	9,32	146	27,8	50,4	1,97	17,1	16,1	13,1	15960	10,1	0,77
U305x30.8	U305-1		74	12,7	305	7,2	30,8	38,93	5329	349,4	415,4	11,70	195	35,9	64,4	2,24	19,7	21,6	13,3	35130	12,6	0,89
U305x37	U305-2		77	12,7	305	9,8	37,0	46,96	5965	391,2	477,4	11,27	228	39,2	70,6	2,20	18,9	18,7	19,0	37444	12,1	0,90

4.3.4. TUBULAR PROFILE

Hollow and circular section obtained from Catálogo Tubos Estruturais Vallourec – Seção Circular, Quadrada e Retangular [4] (diameter up to 355.6mm) and good engineering practices (diameter greater than 355.6mm). Figure 4 presents its cross section and Table 24 to Table 29 present their properties and dimensions.

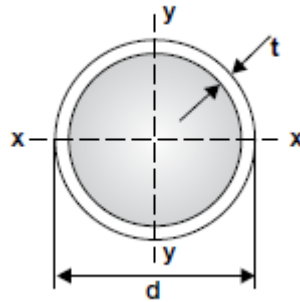


Figure 4 – Tubular profile

AREA:

SHEET

33 of 53

TITLE:

STRUCTURE PLATES AND PROFILES CATALOGUE
INTERNAL
ESUP

Table 24 – Properties and dimensions of Tubular profiles (1/6)

Name	Dimensions (mm)						X axis = Y axis					
	Original	FEM softwares	d	t	kg/m	Area (cm ²)	I _x (cm ⁴)	W _x (cm ³)	Z _x (cm ³)	r _x (cm)	J (cm ⁶)	u (m ² /m)
D33.4x3.2	P33_1		33.4	3.2	2.38	3.04	3.5	2.1	2.9	1.07	7.0	0.10
D33.4x3.6	P33_2		33.4	3.6	2.65	3.37	3.8	2.3	3.2	1.06	7.6	0.10
D38.1x3.2	P38_1		38.1	3.2	2.75	3.51	5.4	2.8	3.9	1.24	10.8	0.12
D38.1x3.6	P38_2		38.1	3.6	3.06	3.90	5.9	3.1	4.3	1.23	11.7	0.12
D38.1x4	P38_3		38.1	4	3.36	4.29	6.3	3.3	4.7	1.21	12.6	0.12
D42.2x3.6	P42_1		42.2	3.6	3.43	4.37	8.2	3.9	5.4	1.37	16.4	0.13
D42.2x4	P42_2		42.2	4	3.77	4.80	8.9	4.2	5.9	1.36	17.7	0.13
D42.2x4.5	P42_3		42.2	4.5	4.18	5.33	9.6	4.6	6.4	1.34	19.2	0.13
D42.2x5	P42_4		42.2	5	4.59	5.84	10.3	4.9	7.0	1.33	20.6	0.13
D48.3x3.6	P48_1		48.3	3.6	3.97	5.06	12.7	5.3	7.2	1.59	25.4	0.15
D48.3x4	P48_2		48.3	4	4.37	5.57	13.8	5.7	7.9	1.57	27.5	0.15
D48.3x4.5	P48_3		48.3	4.5	4.86	6.19	15.0	6.2	8.7	1.56	30.0	0.15
D48.3x5	P48_4		48.3	5	5.34	6.80	16.2	6.7	9.4	1.54	32.3	0.15
D48.3x5.6	P48_5		48.3	5.6	5.90	7.51	17.4	7.2	10.3	1.52	34.8	0.15
D48.3x6.4	P48_6		48.3	6.4	6.61	8.42	18.9	7.8	11.3	1.50	37.8	0.15
D60.3x3.6	P60_1		60.3	3.6	5.03	6.41	25.9	8.6	11.6	2.01	51.7	0.19
D60.3x4	P60_2		60.3	4	5.55	7.07	28.2	9.3	12.7	2.00	56.3	0.19
D60.3x4.5	P60_3		60.3	4.5	6.19	7.89	30.9	10.2	14.0	1.98	61.8	0.19
D60.3x5	P60_4		60.3	5	6.82	8.69	33.5	11.1	15.3	1.96	67.0	0.19
D60.3x5.6	P60_5		60.3	5.6	7.55	9.62	36.4	12.1	16.8	1.94	72.7	0.19
D60.3x6.4	P60_6		60.3	6.4	8.51	10.84	39.9	13.2	18.7	1.92	79.8	0.19
D60.3x7.1	P60_7		60.3	7.1	9.32	11.87	42.7	14.2	20.2	1.90	85.5	0.19
D60.3x8	P60_8		60.3	8	10.32	13.14	46.0	15.3	22.0	1.87	92.0	0.19
D60.3x8.8	P60_9		60.3	8.8	11.18	14.24	48.6	16.1	23.6	1.85	97.2	0.19
D73x3.6	P73_1		73	3.6	6.16	7.85	47.4	13.0	17.4	2.46	94.8	0.23
D73x4	P73_2		73	4	6.81	8.67	51.8	14.2	19.1	2.44	103.6	0.23
D73x4.5	P73_3		73	4.5	7.60	9.68	57.0	15.6	21.1	2.43	114.1	0.23
D73x5	P73_4		73	5	8.38	10.68	62.1	17.0	23.2	2.41	124.1	0.23
D73x5.6	P73_5		73	5.6	9.31	11.86	67.8	18.6	25.5	2.39	135.6	0.23
D73x6.4	P73_6		73	6.4	10.51	13.39	74.9	20.5	28.5	2.37	149.9	0.23
D73x7.1	P73_7		73	7.1	11.54	14.70	80.7	22.1	30.9	2.34	161.4	0.23
D73x8	P73_8		73	8	12.82	16.34	87.6	24.0	34.0	2.32	175.2	0.23
D73x8.8	P73_9		73	8.8	13.93	17.75	93.2	25.5	36.5	2.29	186.3	0.23
D73x10	P73_10		73	10	15.54	19.79	100.7	27.6	40.0	2.26	201.3	0.23
D73x11	P73_11		73	11	16.82	21.43	106.2	29.1	42.7	2.23	212.4	0.23
D88.9x3.6	P89_1		88.9	3.6	7.57	9.65	87.9	19.8	26.2	3.02	175.8	0.28
D88.9x4	P89_2		88.9	4	8.38	10.67	96.3	21.7	28.8	3.00	192.7	0.28
D88.9x4.5	P89_3		88.9	4.5	9.37	11.93	106.5	24.0	32.1	2.99	213.1	0.28

Table 25 – Properties and dimensions of tubular profiles (2/6)

Name	Dimensions (mm)				X axis = Y axis							
	Original	FEM softwares	d	t	kg/m	Area (cm ²)	I _x (cm ⁴)	W _x (cm ³)	Z _x (cm ³)	r _x (cm)	J (cm ⁴)	u (m ² /m)
D88.9x5	P89_4		88.9	5	10.35	13.18	116.4	26.2	35.2	2.97	232.7	0.28
D88.9x5.6	P89_5		88.9	5.6	11.50	14.65	127.7	28.7	38.9	2.95	255.4	0.28
D88.9x6.4	P89_6		88.9	6.4	13.02	16.59	142.0	31.9	43.6	2.93	283.9	0.28
D88.9x7.1	P89_7		88.9	7.1	14.32	18.25	153.8	34.6	47.6	2.90	307.5	0.28
D88.9x8	P89_8		88.9	8	15.96	20.33	168.0	37.8	52.5	2.87	335.9	0.28
D88.9x8.8	P89_9		88.9	8.8	17.38	22.14	179.7	40.4	56.7	2.85	359.5	0.28
D88.9x10	P89_10		88.9	10	19.46	24.79	196.0	44.1	62.6	2.81	392.0	0.28
D88.9x11	P89_11		88.9	11	21.13	26.92	208.3	46.9	67.2	2.78	416.6	0.28
D88.9x12.5	P89_12		88.9	12.5	23.55	30.00	224.8	50.6	73.6	2.74	449.5	0.28
D101.6x4	P101_1		101.6	4	9.63	12.26	146.3	28.8	38.1	3.45	292.6	0.32
D101.6x4.5	P101_2		101.6	4.5	10.78	13.73	162.1	31.9	42.4	3.44	324.3	0.32
D101.6x5	P101_3		101.6	5	11.91	15.17	177.5	34.9	46.7	3.42	354.9	0.32
D101.6x5.6	P101_4		101.6	5.6	13.26	16.89	195.2	38.4	51.7	3.40	390.5	0.32
D101.6x6.4	P101_5		101.6	6.4	15.03	19.14	217.8	42.9	58.1	3.37	435.7	0.32
D101.6x7.1	P101_6		101.6	7.1	16.55	21.08	236.6	46.6	63.5	3.35	473.2	0.32
D101.6x8	P101_7		101.6	8	18.47	23.52	259.5	51.1	70.2	3.32	519.0	0.32
D101.6x8.8	P101_8		101.6	8.8	20.14	25.66	278.7	54.9	76.0	3.30	557.3	0.32
D101.6x10	P101_9		101.6	10	22.59	28.78	305.4	60.1	84.2	3.26	610.8	0.32
D101.6x11	P101_10		101.6	11	24.58	31.31	326.0	64.2	90.7	3.23	652.0	0.32
D101.6x12.5	P101_11		101.6	12.5	27.47	34.99	354.1	69.7	99.9	3.18	708.1	0.32
D114.3x4	P114_1		114.3	4	10.88	13.86	211.1	36.9	48.7	3.90	422.1	0.36
D114.3x4.5	P114_2		114.3	4.5	12.19	15.52	234.3	41.0	54.3	3.89	468.6	0.36
D114.3x5	P114_3		114.3	5	13.48	17.17	256.9	45.0	59.8	3.87	513.8	0.36
D114.3x5.6	P114_4		114.3	5.6	15.01	19.12	283.2	49.6	66.2	3.85	566.4	0.36
D114.3x6.4	P114_5		114.3	6.4	17.03	21.69	316.8	55.4	74.6	3.82	633.7	0.36
D114.3x7.1	P114_6		114.3	7.1	18.77	23.91	345.0	60.4	81.7	3.80	690.0	0.36
D114.3x8	P114_7		114.3	8	20.97	26.72	379.5	66.4	90.5	3.77	759.0	0.36
D114.3x8.8	P114_8		114.3	8.8	22.90	29.17	408.6	71.5	98.1	3.74	817.2	0.36
D114.3x10	P114_9		114.3	10	25.72	32.77	449.7	78.7	109.1	3.70	899.3	0.36
D114.3x11	P114_10		114.3	11	28.02	35.70	481.6	84.3	117.8	3.67	963.1	0.36
D114.3x12.5	P114_11		114.3	12.5	31.38	39.98	525.7	92.0	130.2	3.63	1051.3	0.36
D114.3x14.2	P114_12		114.3	14.2	35.05	44.66	570.6	99.8	143.2	3.57	1141.1	0.36
D141.3x5	P141_1		141.3	5	16.81	21.41	497.9	70.5	92.9	4.82	995.7	0.44
D141.3x5.6	P141_2		141.3	5.6	18.74	23.87	550.5	77.9	103.2	4.80	1100.9	0.44
D141.3x6.4	P141_3		141.3	6.4	21.29	27.12	618.4	87.5	116.5	4.77	1236.8	0.44
D141.3x7.1	P141_4		141.3	7.1	23.50	29.93	675.8	95.6	128.0	4.75	1351.5	0.44
D141.3x8	P141_5		141.3	8	26.30	33.50	746.8	105.7	142.3	4.72	1493.6	0.44
D141.3x8.8	P141_6		141.3	8.8	28.76	36.63	807.4	114.3	154.7	4.69	1614.8	0.44

AREA:

SHEET

35 of 53

TITLE:

STRUCTURE PLATES AND PROFILES CATALOGUE
INTERNAL
ESUP

Table 26 – Properties and dimensions of tubular profiles (3/6)

Name	Dimensions (mm)				X axis = Y axis							
	Original	FEM softwares	d	t	kg/m	Area (cm ²)	I _x (cm ⁴)	W _x (cm ³)	Z _x (cm ³)	r _x (cm)	J (cm ⁴)	u (m ² /m)
D141.3x10	P141_7		141.3	10	32.38	41.25	894.1	126.5	172.7	4.66	1788.1	0.44
D141.3x11	P141_8		141.3	11	35.35	45.03	962.4	136.2	187.2	4.62	1924.9	0.44
D141.3x12.5	P141_9		141.3	12.5	39.71	50.58	1058.7	149.9	208.0	4.58	2117.5	0.44
D141.3x14.2	P141_10		141.3	14.2	44.51	56.70	1159.2	164.1	230.3	4.52	2318.5	0.44
D141.3x16	P141_11		141.3	16	49.44	62.98	1256.2	177.8	252.5	4.47	2512.4	0.44
D141.3x17.5	P141_12		141.3	17.5	53.43	68.06	1330.0	188.3	269.9	4.42	2660.0	0.44
D168.3x5	P168_1		168.3	5	20.14	25.65	855.8	101.7	133.3	5.78	1711.7	0.53
D168.3x5.6	P168_2		168.3	5.6	22.47	28.62	948.3	112.7	148.3	5.76	1896.5	0.53
D168.3x6.4	P168_3		168.3	6.4	25.55	32.55	1068.2	126.9	167.8	5.73	2136.4	0.53
D168.3x7.1	P168_4		168.3	7.1	28.23	35.96	1170.2	139.1	184.6	5.70	2340.4	0.53
D168.3x8	P168_5		168.3	8	31.63	40.29	1297.3	154.2	205.7	5.67	2594.5	0.53
D168.3x8.8	P168_6		168.3	8.8	34.61	44.10	1406.5	167.1	224.0	5.65	2813.0	0.53
D168.3x10	P168_7		168.3	10	39.04	49.73	1564.0	185.9	250.9	5.61	3128.0	0.53
D168.3x11	P168_8		168.3	11	42.67	54.36	1689.5	200.8	272.6	5.57	3379.0	0.53
D168.3x12.5	P168_9		168.3	12.5	48.03	61.18	1868.4	222.0	304.0	5.53	3736.7	0.53
D168.3x14.2	P168_10		168.3	14.2	53.96	68.74	2057.9	244.6	338.1	5.47	4115.8	0.53
D168.3x16	P168_11		168.3	16	60.10	76.55	2244.1	266.7	372.4	5.41	4488.2	0.53
D168.3x17.5	P168_12		168.3	17.5	65.08	82.91	2388.4	283.8	399.6	5.37	4776.8	0.53
D168.3x20	P168_13		168.3	20	73.15	93.18	2608.2	309.9	442.4	5.29	5216.4	0.53
D219.1x6.4	P219_1		219.1	6.4	33.57	42.77	2420.7	221.0	289.6	7.52	4841.3	0.69
D219.1x7.1	P219_2		219.1	7.1	37.12	47.29	2659.6	242.8	319.1	7.50	5319.2	0.69
D219.1x8	P219_3		219.1	8	41.65	53.06	2959.6	270.2	356.6	7.47	5919.3	0.69
D219.1x8.8	P219_4		219.1	8.8	45.64	58.14	3219.7	293.9	389.3	7.44	6439.5	0.69
D219.1x10	P219_5		219.1	10	51.57	65.69	3598.4	328.5	437.5	7.40	7196.9	0.69
D219.1x11	P219_6		219.1	11	56.45	71.91	3903.7	356.3	476.7	7.37	7807.5	0.69
D219.1x12.5	P219_7		219.1	12.5	63.69	81.13	4344.6	396.6	534.1	7.32	8689.2	0.69
D219.1x14.2	P219_8		219.1	14.2	71.75	91.41	4820.1	440.0	597.0	7.26	9640.2	0.69
D219.1x16	P219_9		219.1	16	80.14	102.09	5296.6	483.5	661.2	7.20	10593.2	0.69
D219.1x17.5	P219_10		219.1	17.5	87.01	110.84	5673.2	517.9	712.9	7.15	11346.4	0.69
D219.1x20	P219_11		219.1	20	98.20	125.10	6261.3	571.5	795.3	7.07	12522.6	0.69
D219.1x25	P219_12		219.1	25	119.67	152.45	7298.3	666.2	946.8	6.92	14596.6	0.69
D273x6.4	P273_1		273	6.4	42.08	53.60	4765.1	349.1	454.9	9.43	9530.2	0.86
D273x7.1	P273_2		273	7.1	46.56	59.31	5245.5	384.3	502.0	9.40	10490.9	0.86
D273x8	P273_3		273	8	52.28	66.60	5851.7	428.7	561.8	9.37	11703.4	0.86
D273x8.8	P273_4		273	8.8	57.34	73.04	6380.0	467.4	614.3	9.35	12760.1	0.86
D273x10	P273_5		273	10	64.86	82.62	7154.1	524.1	691.9	9.31	14308.2	0.86
D273x11	P273_6		273	11	71.07	90.54	7782.5	570.1	755.3	9.27	15565.1	0.86
D273x12.5	P273_7		273	12.5	80.30	102.30	8697.4	637.2	848.7	9.22	17394.9	0.86

Table 27 – Properties and dimensions of tubular profiles (4/6)

Name	Dimensions (mm)				X axis = Y axis							
	Original	FEM softwares	d	t	kg/m	Area (cm ²)	I _x (cm ⁴)	W _x (cm ³)	Z _x (cm ²)	r _x (cm)	J (cm ⁴)	u (m ² /m)
D273x14.2	P273_8		273	14.2	90.63	115.45	9695.0	710.3	951.8	9.16	19389.9	0.86
D273x16	P273_9		273	16	101.41	129.18	10706.8	784.4	1057.9	9.10	21413.6	0.86
D273x17.5	P273_10		273	17.5	110.27	140.47	11516.0	843.7	1143.9	9.05	23032.1	0.86
D273x20	P273_11		273	20	124.79	158.96	12798.4	937.6	1282.5	8.97	25596.9	0.86
D273x25	P273_12		273	25	152.90	194.78	15126.8	1108.2	1542.4	8.81	30253.5	0.86
D273x30	P273_13		273	30	179.78	229.02	17162.1	1257.3	1780.0	8.66	34324.1	0.86
D323.8x6.4	P323_1		323.8	6.4	50.10	63.82	8039.7	496.6	644.7	11.22	16079.3	1.02
D323.8x7.1	P323_2		323.8	7.1	55.45	70.64	8861.0	547.3	712.1	11.20	17721.9	1.02
D323.8x8	P323_3		323.8	8	62.30	79.37	9900.7	611.5	797.8	11.17	19801.4	1.02
D323.8x8.8	P323_4		323.8	8.8	68.36	87.08	10809.7	667.7	873.2	11.14	21619.4	1.02
D323.8x10	P323_5		323.8	10	77.39	98.58	12146.7	750.3	984.8	11.10	24293.5	1.02
D323.8x11	P323_6		323.8	11	84.86	108.10	13237.0	817.6	1076.5	11.07	26474.0	1.02
D323.8x12.5	P323_7		323.8	12.5	95.96	122.25	14832.2	916.1	1211.7	11.01	29664.5	1.02
D323.8x14.2	P323_8		323.8	14.2	108.42	138.11	16583.0	1024.3	1361.7	10.96	33166.0	1.02
D323.8x16	P323_9		323.8	16	121.45	154.72	18372.1	1134.8	1516.8	10.90	36744.1	1.02
D323.8x17.5	P323_10		323.8	17.5	132.19	168.40	19813.2	1223.8	1643.2	10.85	39626.4	1.02
D323.8x20	P323_11		323.8	20	149.84	190.88	22117.3	1366.1	1848.1	10.76	44234.5	1.02
D323.8x25	P323_12		323.8	25	184.22	234.68	26373.7	1629.0	2236.7	10.60	52747.4	1.02
D355.6x8	P355_1		355.6	8	68.58	87.36	13201.4	742.5	966.5	12.29	26402.7	1.12
D355.6x8.8	P355_2		355.6	8.8	75.26	95.88	14423.1	811.2	1058.3	12.27	28846.3	1.12
D355.6x10	P355_3		355.6	10	85.23	108.57	16223.5	912.5	1194.4	12.22	32447.0	1.12
D355.6x11	P355_4		355.6	11	93.48	119.09	17694.6	995.2	1306.4	12.19	35389.2	1.12
D355.6x12.5	P355_5		355.6	12.5	105.77	134.74	19852.2	1116.5	1471.8	12.14	39704.4	1.12
D355.6x14.2	P355_6		355.6	14.2	119.56	152.30	22227.4	1250.1	1655.6	12.08	44454.9	1.12
D355.6x16	P355_7		355.6	16	134.00	170.70	24663.0	1387.1	1846.2	12.02	49326.0	1.12
D355.6x17.5	P355_8		355.6	17.5	145.92	185.88	26631.5	1497.8	2001.7	11.97	53263.0	1.12
D355.6x20	P355_9		355.6	20	165.53	210.86	29791.7	1675.6	2254.7	11.89	59583.4	1.12
D355.6x25	P355_10		355.6	25	203.83	259.65	35676.7	2006.6	2736.9	11.72	71353.4	1.12
D400x12.5	P400_1		400	12.5	119.45	152.17	28591.5	1429.6	1877.1	13.71	57183.0	1.26
D400x16	P400_2		400	16	151.52	193.02	35639.1	1782.0	2360.1	13.59	71278.2	1.26
D400x19	P400_3		400	19	178.52	227.42	41368.2	2068.4	2759.7	13.49	82736.5	1.26
D400x22.4	P400_4		400	22.4	208.59	265.72	47525.8	2376.3	3196.8	13.37	95051.6	1.26
D400x25	P400_5		400	25	231.20	294.52	52001.9	2600.1	3520.0	13.29	104003.9	1.26
D406.4x6.4	P406_1		406.4	6.4	63.13	80.42	16089.1	791.8	1023.8	14.14	32178.1	1.28
D406.4x7.9	P406_2		406.4	7.9	77.64	98.90	19640.1	966.5	1254.4	14.09	39280.1	1.28
D406.4x9.5	P406_3		406.4	9.5	92.99	118.46	23338.6	1148.6	1496.4	14.04	46677.3	1.28
D406.4x12.7	P406_4		406.4	12.7	123.31	157.08	30465.7	1499.3	1968.7	13.93	60931.5	1.28
D406.4x16.7	P406_5		406.4	16.7	160.50	204.45	38883.4	1913.6	2537.1	13.79	77766.8	1.28

Table 28 – Properties and dimensions of tubular profiles (5/6)

Name	Dimensions (mm)				X axis = Y axis							
	Original	FEM softwares	d	t	kg/m	Area (cm ²)	I _x (cm ⁴)	W _x (cm ³)	Z _x (cm ³)	r _x (cm)	J (cm ⁴)	u (m ² /m)
D406.4x21.4	P406_6		406.4	21.4	203.19	258.84	48105.6	2367.4	3174.5	13.63	96211.2	1.28
D406.4x26.2	P406_7		406.4	26.2	245.66	312.94	56813.9	2796.0	3792.3	13.47	113627.9	1.28
D450x12.5	P450_1		450	12.5	134.87	171.81	41139.4	1828.4	2392.6	15.47	82278.9	1.41
D450x16	P450_2		450	16	171.25	218.15	51432.7	2285.9	3014.3	15.35	102865.3	1.41
D450x19	P450_3		450	19	201.95	257.27	59853.4	2660.1	3530.9	15.25	119706.7	1.41
D450x22.4	P450_4		450	22.4	236.21	300.91	68962.2	3065.0	4098.4	15.14	137924.4	1.41
D457.2x19	P457_1		457.2	19	205.33	261.56	62899.4	2751.5	3649.7	15.51	125798.7	1.44
D500x12.5	P500_1		500	12.5	150.28	191.44	56908.8	2276.4	2970.6	17.24	113817.5	1.57
D500x16	P500_2		500	16	190.98	243.28	71316.5	2852.7	3748.5	17.12	142633.1	1.57
D500x19	P500_3		500	19	225.38	287.11	83162.2	3326.5	4397.0	17.02	166324.3	1.57
D500x22.4	P500_4		500	22.4	263.83	336.10	96040.7	3841.6	5111.9	16.90	192081.3	1.57
D500x25	P500_5		500	25	292.86	373.06	105507.2	4220.3	5644.4	16.82	211014.4	1.57
D508x19	P508_1		508	19	229.13	291.89	87376.6	3440.0	4544.4	17.30	174753.2	1.60
D550x16	P550_1		550	16	210.71	268.42	95762.0	3482.3	4562.7	18.89	191524.1	1.73
D550x19	P550_2		550	19	248.81	316.96	111854.3	4067.4	5358.2	18.79	223708.6	1.73
D550x22.4	P550_3		550	22.4	291.46	371.28	129420.9	4706.2	6237.5	18.67	258841.8	1.73
D550x25	P550_4		550	25	323.68	412.33	142384.1	5177.6	6894.1	18.58	284768.2	1.73
D600x16	P600_1		600	16	230.44	293.55	125240.4	4174.7	5456.9	20.66	250480.7	1.88
D600x19	P600_2		600	19	272.24	346.80	146489.4	4883.0	6414.3	20.55	292978.7	1.88
D600x22.4	P600_3		600	22.4	319.08	406.47	169762.6	5658.8	7475.0	20.44	339525.3	1.88
D600x25	P600_4		600	25	354.51	451.60	186992.3	6233.1	8268.8	20.35	373984.5	1.88
D630x31.5	P630_1		630	31.5	464.94	592.28	265928.1	8442.2	11291.0	21.19	531856.3	1.98
D650x22.4	P650_1		650	22.4	346.70	441.65	217725.7	6699.3	8824.5	22.20	435451.3	2.04
D650x25	P650_2		650	25	385.34	490.87	240068.0	7386.7	9768.4	22.11	480136.0	2.04
D650x31.5	P650_3		650	31.5	480.47	612.07	293436.8	9028.8	12057.5	21.90	586873.6	2.04
D700x19	P700_1		700	19	319.10	406.49	235826.6	6737.9	8811.5	24.09	471653.2	2.20
D700x22.4	P700_2		700	22.4	374.32	476.84	273969.6	7827.7	10285.9	23.97	547939.3	2.20
D700x25	P700_3		700	25	416.16	530.14	302347.6	8638.5	11393.0	23.88	604695.2	2.20
D700x31.5	P700_4		700	31.5	519.32	661.55	370371.8	10582.1	14084.0	23.66	740743.6	2.20
D700x35	P700_5		700	35	574.00	731.21	405316.5	11580.5	15488.3	23.54	810632.9	2.20
D750x19	P750_1		750	19	342.52	436.34	291647.9	7777.3	10152.6	25.85	583295.9	2.36
D750x22.4	P750_2		750	22.4	401.94	512.02	339154.4	9044.1	11859.4	25.74	678308.7	2.36
D750x25	P750_3		750	25	446.99	569.41	374567.4	9988.5	13142.5	25.65	749134.9	2.36
D750x31.5	P750_4		750	31.5	558.16	711.03	459710.8	12259.0	16268.0	25.43	919421.6	2.36
D750x37.5	P750_5		750	37.5	658.92	839.39	534130.2	14243.5	19049.9	25.23	1068260.4	2.36
D800x22.4	P800_1		800	22.4	429.56	547.21	413939.5	10348.5	13544.8	27.50	827879.0	2.51
D800x25	P800_2		800	25	477.82	608.68	457463.8	11436.6	15017.1	27.41	914927.5	2.51
D800x31.5	P800_3		800	31.5	597.00	760.51	562381.6	14059.5	18609.4	27.19	1124763.2	2.51

Table 29 – Properties and dimensions of tubular profiles (6/6)

Name	Dimensions (mm)				kg/m	Area (cm ²)	I _x (cm ⁴)	W _x (cm ³)	Z _x (cm ³)	r _x (cm)	J (cm ⁴)	u (m ² /m)
	FEM softwares	d	t	t								
D800x37.5	P800_4	800	37.5	705.16	898.30	654425.0	16360.6	21814.9	26.99	1308849.9	2.51	
D850x22.4	P850_1	850	22.4	457.18	582.40	498984.9	11740.8	15342.2	29.27	997969.8	2.67	
D850x25	P850_2	850	25	508.64	647.95	551772.9	12982.9	17016.6	29.18	1103545.8	2.67	
D850x31.5	P850_3	850	31.5	635.84	809.99	679311.9	15983.8	21108.3	28.96	1358623.9	2.67	
D850x37.5	P850_4	850	37.5	751.41	957.20	791562.8	18625.0	24767.2	28.76	1583125.7	2.67	
D900x25	P900_1	900	25	539.47	687.22	658231.2	14627.4	19141.0	30.95	1316462.3	2.83	
D900x31.5	P900_2	900	31.5	674.68	859.47	811429.6	18031.8	23764.7	30.73	1622859.2	2.83	
D900x37.5	P900_3	900	37.5	797.65	1016.11	946648.3	21036.6	27907.1	30.52	1893296.6	2.83	
D900x44.5	P900_4	900	44.5	938.86	1196.00	1097118.2	24380.4	32589.9	30.29	2194236.4	2.83	
D1000x25	P1000_1	1000	25	601.12	765.76	910540.3	18210.8	23764.9	34.48	1821080.6	3.14	
D1000x31.5	P1000_2	1000	31.5	752.37	958.43	1124937.7	22498.8	29549.8	34.26	2249875.5	3.14	
D1000x37.5	P1000_3	1000	37.5	890.13	1133.92	1315079.8	26301.6	34749.1	34.06	2630159.6	3.14	
D1000x44.5	P1000_4	1000	44.5	1048.60	1335.80	1527752.3	30555.0	40646.8	33.82	3055504.5	3.14	
D1000x50	P1000_5	1000	50	1171.42	1492.26	1688115.2	33762.3	45155.4	33.63	3376230.4	3.14	
D1200x31.5	P1200_1	1200	31.5	907.73	1156.35	1975022.7	32917.0	43009.5	41.33	3950045.3	3.77	
D1200x37.5	P1200_2	1200	37.5	1075.09	1369.54	2315910.2	38598.5	50682.6	41.12	4631820.5	3.77	
D1200x44.5	P1200_3	1200	44.5	1268.09	1615.40	2700059.8	45001.0	59430.0	40.88	5400119.6	3.77	
D1200x44.5	P1200_4	1200	44.5	1268.09	1615.40	2700059.8	45001.0	59430.0	40.88	5400119.6	3.77	
D1200x50	P1200_5	1200	50	1418.04	1806.42	2991876.1	49864.6	66150.1	40.70	5983752.3	3.77	
D1200x40	P1200_6	1200	40	1144.29	1457.70	2454765.1	40912.8	53831.9	41.04	4909530.2	3.77	
D1500x25	P1500_1	1500	25	909.39	1158.46	3151379.5	42018.4	54382.2	52.16	6302758.9	4.71	
D1500x31.5	P1500_2	1500	31.5	1140.79	1453.23	3919151.7	52255.4	67922.9	51.93	7838303.4	4.71	
D1500x37.5	P1500_3	1500	37.5	1352.53	1722.97	4609610.4	61461.5	80206.5	51.72	9219220.7	4.71	
D1500x44.5	P1500_4	1500	44.5	1597.32	2034.80	5393395.8	71911.9	94278.2	51.48	10786791.6	4.71	
D1500x50	P1500_5	1500	50	1787.96	2277.65	5993078.9	79907.7	105140.4	51.30	11986157.7	4.71	
D1500x63	P1500_6	1500	63	2322.63	2844.12	7355372.6	98071.6	130143.9	50.85	14710745.3	4.71	
D1500x60	P1500_7	1500	60	2130.75	2714.34	7047773.6	93970.3	124456.9	50.96	14095547.1	4.71	
D1750x25	P1750_1	1750	25	1063.53	1354.81	5040323.4	57603.7	74377.2	60.99	10080646.8	5.50	
D1750x31.5	P1750_2	1750	31.5	1334.99	1700.63	6280076.6	71772.3	93014.3	60.77	12560153.2	5.50	
D1750x37.5	P1750_3	1750	37.5	1583.73	2017.49	7399307.8	84563.5	109964.7	60.56	14798615.6	5.50	
D1750x44.5	P1750_4	1750	44.5	1871.68	2384.30	8675023.0	99143.1	129435.5	60.32	17350045.9	5.50	
D1750x50	P1750_5	1750	50	2096.23	2670.35	9654997.8	110342.8	144505.5	60.13	19309995.6	5.50	
D1750x63	P1750_6	1750	63	2621.05	3338.92	11894629.8	135938.6	179334.6	59.69	23789259.6	5.50	
D2000x25	P2000_1	2000	25	1217.66	1551.16	7564335.4	75643.4	97496.5	69.83	15128670.8	6.28	
D2000x31.5	P2000_2	2000	31.5	1529.20	1948.03	9438172.1	94381.7	122042.2	69.61	18876344.1	6.28	
D2000x37.5	P2000_3	2000	37.5	1814.93	2312.02	11134704.4	111347.0	144409.2	69.40	22269408.9	6.28	
D2000x44.5	P2000_4	2000	44.5	2146.04	2733.81	13074292.6	130742.9	170153.9	69.16	26148585.1	6.28	
D2000x50	P2000_5	2000	50	2404.50	3063.05	14568645.1	145686.5	190119.1	68.97	29137290.1	6.28	
D2000x63	P2000_6	2000	63	3009.47	3833.72	17999003.9	179990.0	236398.3	68.52	35998007.8	6.28	

4.3.5. T / WT PROFILE

Rolled profile obtained from ABNT NBR 15980:2011 – Perfis laminados de aço para uso estrutural – Dimensões e tolerâncias [2], Catálogo Perfis Estruturais Gerdau - Tabela de bitolas [3] and welded profiles from good engineering practices. Figure 5 presents its cross section and Table 30 to Table 33 present their properties and dimensions.

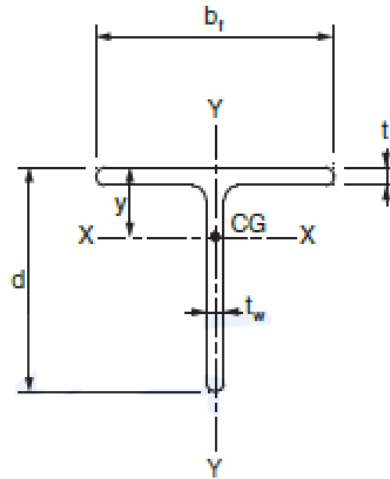


Figure 5 – T / WT profile



PETROBRAS

TECHNICAL SPECIFICATION

I-ET-3010.00-1400-140-P4X-001

REV. **E**

AREA:

SHEET **40** of **53**

TITLE:

STRUCTURE PLATES AND PROFILES CATALOGUE

INTERNAL

ESUP

Table 30 – Properties and dimensions of T profiles (1/4)

Name	Dimensions (mm)												X axis												Y axis											
	Original	FEM/software	b ₁	t ₁	d	t _w	kg/m	Area (cm ²)	I _x (cm ⁴)	W _x (cm ³)	W _k (cm ³)	Z _x (cm ³)	r _x (cm)	I _y (cm ⁴)	W _y (cm ³)	Z _y (cm ³)	r _y (cm)	V _g (mm)	J (cm ⁴)	C _w (cm ⁶)	u (m ² /m)															
T300x80	T300_1		150	24	300	24	80.3	102.24	9470.1	496.29	862.06	9.62	706.8	94.24	174.74	2.63	190.8	201.83	9496.943	0.90																
T350x85	T350_1		350	19	350	12.5	84.7	107.88	11608.7	424.64	742.72	10.37	6793.9	388.22	594.80	7.94	273.4	102.19	4184.019	1.40																
T500x98	T500_1		400	16	500	12.5	97.7	124.50	31261.8	843.74	1519.19	15.85	8541.2	427.06	658.91	8.28	370.5	86.64	8281.788	1.80																
T500x135	T500_2		450	25	500	12.5	134.9	171.88	35512.1	885.29	1536.13	14.37	18992.1	844.09	1284.18	10.51	401.1	266.11	16173.363	1.90																
T500x158	T500_3		500	25	500	16	157.8	201.00	43894.5	1116.99	1947.73	14.78	26057.9	1042.32	1592.90	11.39	393.0	326.98	26745.368	2.00																
T500x170	T500_4		500	31.5	500	12.5	169.6	216.06	37522.8	900.93	1569.79	13.18	32820.1	1312.81	1987.05	12.32	416.5	552.46	33292.626	2.00																
T500x176	T500_5		400	37.5	500	16	175.8	224.00	44337.6	1112.16	1961.03	14.07	20015.8	1000.79	1529.60	9.45	398.7	768.83	36118.972	1.80																
T500x205	T500_6		500	37.5	500	16	205.3	261.50	46572.7	1134.52	1996.18	13.35	39078.3	1563.13	2373.35	12.22	410.5	944.61	58457.839	2.00																
T500x264	T500_7		500	44.5	500	25	264.1	336.38	67133.8	1707.74	3023.23	14.13	46413.5	1856.54	2852.42	11.75	393.1	1717.51	123822.191	2.00																
T500x194	T500_8		450	31.5	500	22.4	193.7	246.69	57000.5	1508.35	2676.46	15.20	23964.2	1065.08	1653.46	9.86	377.9	650.26	55231.900	1.90																
T500x223	T500_9		450	37.5	500	25	223.2	284.38	63691.4	1677.85	2976.56	14.97	28536.8	1268.30	1970.70	10.02	379.6	1041.67	81746.949	1.90																
T600x118	T600_1		300	19	600	16	117.7	149.96	57967.7	1432.96	2552.59	19.66	4294.8	286.32	464.68	5.35	404.5	149.21	24713.088	1.80																
T600x146	T600_2		200	24	600	24	146.2	186.24	70309.6	1924.61	3190.66	19.43	1666.4	166.64	322.94	2.99	365.3	363.11	78834.229	1.60																
T800x156	T800_1		300	25	800	16	156.2	199.00	136877.5	2542.99	4523.59	26.23	5651.5	376.76	612.10	5.33	538.3	263.77	58495.688	2.20																
T1000x181	T1000_1		300	25	1000	16	181.3	231.00	250243.7	3850.86	6673.59	32.91	5658.3	377.22	624.90	4.95	649.8	291.08	112493.910	2.60																
WT5x6.5	T75_1		100	4.9	74	4.3	6.5	7.87	37.2	6.47	11.27	2.18	40.9	8.18	12.57	2.28	57.6	0.58	1.626	0.35																
WT7.5x6.75	T75_2		100	5.5	75	4.3	6.8	8.49	39.4	6.67	11.64	2.15	45.9	9.18	14.07	2.32	59.0	0.75	1.988	0.35																
WT7.5x9	T75_3		102	7.1	76.5	5.8	9.0	11.27	54.3	9.16	16.10	2.20	62.9	12.33	19.05	2.36	59.3	1.69	4.742	0.36																
WT7.5x11.25	T75_4		152	6.6	76	5.8	11.3	14.06	58.0	9.38	16.37	2.03	193.3	25.43	38.71	3.71	61.8	1.93	9.094	0.46																
WT7.5x12	T75_5		102	10.3	80	6.6	12.0	15.11	70.7	11.29	20.35	2.16	91.3	17.89	27.55	2.46	62.7	4.43	11.402	0.36																
WT7.5x14.9	T75_6		153	9.3	78.5	6.6	14.9	18.80	72.5	11.28	20.48	1.96	277.7	36.31	55.48	3.84	64.3	4.81	23.222	0.46																
WT7.5x18.55	T75_7		154	11.6	81	8.1	18.6	23.49	94.7	14.46	26.81	2.01	353.4	45.89	69.91	3.88	65.5	9.34	45.867	0.47																
WT100x7.5	T100_1		100	5.2	100	4.3	7.5	9.28	87.8	11.64	20.62	3.08	43.4	8.68	13.44	2.16	75.4	0.73	3.017	0.40																
WT100x9.65	T100_2		102	6.5	101.5	5.8	9.7	12.14	119.2	15.84	28.24	3.13	57.6	11.30	17.71	2.18	75.2	1.57	7.164	0.41																
WT100x11.25	T100_3		102	8	103	6.2	11.3	14.05	135.5	17.50	31.05	3.11	70.9	13.91	21.72	2.25	77.4	2.53	10.197	0.41																
WT100x13.3	T100_4		133	8.4	103.5	5.8	13.3	16.69	141.1	17.17	30.09	2.91	164.8	24.79	37.95	3.14	82.2	3.27	14.990	0.47																
WT100x15.65	T100_5		134	10.2	105	6.4	15.7	19.74	162.4	19.39	34.37	2.87	204.7	30.56	46.76	3.22	83.8	5.61	24.992	0.48																
WT100x17.95	T100_6		165	10.2	100.5	6.2	18.0	22.43	145.6	17.57	31.56	2.55	382.0	46.30	70.29	4.13	82.9	6.59	38.853	0.53																
WT100x20.85	T100_7		166	11.8	102.5	7.2	20.9	26.12	175.7	20.97	38.07	2.59	450.1	54.23	82.47	4.15	83.8	10.29	61.538	0.54																
WT100x23.05	T100_8		203	11	101.5	7.2	23.1	28.85	176.6	20.90	38.04	2.47	767.1	75.58	114.50	5.16	84.5	10.20	86.495	0.61																
WT100x26	T100_9		204	12.6	103	7.9	26.0	32.85	200.3	23.42	43.47	2.47	891.8	87.43	132.50	5.21	85.5	15.19	130.318	0.61																
WT100x29.5	T100_10		205	14.2	105	9.1	29.5	37.37	239.1	27.70	51.83	2.53	1020.0	99.51	151.07	5.22	86.3	22.02	190.944	0.62																
WT100x35.5	T100_11		206	17.4	108	10.2	35.5	45.09	286.5	32.47	63.14	2.52	1268.4	123.44	186.95	5.30	88.2	39.69	348.670	0.63																
WT100x43	T100_12		209	20.6	111	13	43.0	54.81	379.6	42.75	83.58	2.63	1568.9	150.13	228.78	5.35	88.8	68.28	616.533	0.64																
WT100x50	T100_13		210	23.7	114.5	14.5	50.0	62.94	455.0	50.18	100.09	2.69	1831.4	174.41	266.07	5.39	90.7	103.62	947.728	0.65																
WT125x8.95	T125_1		101	5.3	125.5	4.8	9.0	11.12	178.9	19.81	36.00	4.01	45.6	9.03	14.21	2.03	90.3	0.95	6.761	0.45																
WT125x11.15	T125_2		102	6.9	127	5.8	11.2	14.00	225.2	24.48	44.44	4.01	61.2	12.00	18.96	2.09	92.0	1.92	12.642	0.46																
WT125x12.65	T125_3		102	8.4	128.5	6.1	12.7	15.89	251.6	26.57	47.75	3.98	74.5	14.61	22.97	2.17	94.7	2.96	16.477	0.46																

AREA:

SHEET 41 of 53

TITLE:

STRUCTURE PLATES AND PROFILES CATALOGUE
INTERNAL
ESUP

Table 31 – Properties and dimensions of T profiles (2/4)

Name	Dimensions (mm)										X axis						Y axis					
	Original	FEM-software	b _f	t _f	d	t _w	kg/m	Area (cm ²)	I _x (cm ⁴)	W _x (cm ³)	Z _x (cm ³)	r _x (cm)	I _y (cm ⁴)	W _y (cm ³)	Z _y (cm ³)	r _y (cm)	V _g (mm)	J (cm ⁴)	C _w (cm ⁶)	u (m ² /m)		
WT125x14.2		T125_4	102	10	130	6.4	14.2	17.88	278.1	28.65	51.24	3.94	88.7	17.39	27.24	2.23	97.1	4.49	21.592	0.46		
WT125x16.35		T125_5	146	9.1	129	6.1	16.4	20.60	284.8	28.04	49.08	3.72	236.2	32.36	49.61	3.39	101.5	4.61	28.439	0.55		
WT125x19.25		T125_6	147	11.2	131	6.6	19.3	24.37	325.5	31.25	55.09	3.65	296.8	40.38	61.81	3.49	104.1	8.09	46.739	0.56		
WT125x22.4		T125_7	148	13	133	7.6	22.4	28.36	385.8	36.70	65.17	3.69	351.6	47.52	72.92	3.52	105.1	12.69	74.144	0.56		
WT125x24.55		T125_8	202	11	123.5	7.4	24.6	30.55	321.0	31.73	55.98	3.24	755.9	74.84	113.75	4.97	101.2	10.56	94.679	0.65		
WT125x29		T125_9	203	13.5	126	8	29.0	36.41	368.0	35.49	64.15	3.18	941.6	92.77	140.88	5.09	103.7	18.68	167.049	0.66		
WT125x33.5		T125_10	204	15.7	128.5	8.9	33.5	42.07	428.5	40.69	74.84	3.19	1111.4	108.96	165.58	5.14	105.3	29.15	262.545	0.67		
WT125x36.5		T125_11	254	14.2	126.5	8.6	36.5	45.73	412.3	38.88	71.81	3.00	1939.7	152.73	231.11	6.51	106.0	26.77	355.914	0.76		
WT125x40		T125_12	255	15.6	128	9.4	40.0	50.35	461.2	43.20	80.65	3.03	2156.4	169.13	256.08	6.54	106.8	35.60	477.219	0.77		
WT125x44.5		T125_13	256	17.3	130	10.7	44.5	56.35	539.1	50.18	94.31	3.09	2419.9	189.05	286.67	6.55	107.4	49.14	664.057	0.77		
WT125x50.5		T125_14	257	19.6	132	11.9	50.5	63.75	617.3	56.98	108.98	3.11	2774.1	215.88	327.62	6.60	108.4	71.37	972.994	0.78		
WT125x57.5		T125_15	259	22.1	134.5	13.5	57.5	72.41	725.5	66.34	128.55	3.17	3202.0	247.26	375.74	6.65	109.4	103.31	1430.887	0.79		
WT125x65.5		T125_16	261	25.1	137.5	15.4	65.5	82.82	863.8	78.11	153.45	3.23	3722.3	285.23	434.12	6.70	110.6	152.79	2150.362	0.80		
WT125x74.5		T125_17	263	28.4	141	17.3	74.5	94.17	1023.9	91.25	181.94	3.30	4310.2	327.77	499.52	6.77	112.2	222.70	3186.962	0.81		
WT125x83.5		T125_18	265	31.8	144.5	19.2	83.5	105.91	1198.8	105.31	212.95	3.36	4938.2	372.69	568.68	6.83	113.8	314.40	4573.960	0.82		
WT155x10.5		T155_1	101	5.7	151.5	5.1	10.5	13.19	318.1	30.02	54.47	4.91	49.1	9.72	15.48	1.93	106.0	1.28	13.428	0.51		
WT155x11.9		T155_2	101	6.7	152.5	5.6	11.9	14.93	360.0	33.50	60.92	4.91	57.7	11.43	18.23	1.97	107.5	1.89	18.338	0.51		
WT155x14.15		T155_3	102	8.9	154.5	6	14.2	17.81	420.6	37.50	68.20	4.86	79.0	15.48	24.46	2.11	112.2	3.48	25.466	0.51		
WT155x16.35		T155_4	102	10.8	156.5	6.6	16.4	20.63	485.6	42.36	76.63	4.85	95.9	18.80	29.68	2.16	114.6	5.73	36.834	0.52		
WT155x19.35		T155_5	165	9.7	155	5.8	19.4	24.43	481.1	38.98	67.97	4.44	363.3	44.04	67.24	3.86	123.4	6.00	46.818	0.64		
WT155x22.25		T155_6	166	11.2	156.5	6.6	22.3	28.18	558.0	44.90	78.66	4.45	427.3	51.48	78.74	3.89	124.3	9.22	72.070	0.65		
WT155x26		T155_7	167	13.2	158.5	7.6	26.0	33.09	659.6	52.58	92.69	4.46	512.9	61.42	94.13	3.94	125.5	15.03	117.127	0.65		
WT155x30		T155_8	203	13.1	151.5	7.5	30.0	36.97	597.9	48.34	85.39	4.02	913.7	90.02	136.91	4.97	123.7	17.25	166.288	0.71		
WT155x33.5		T155_9	204	14.6	153	8.5	33.5	41.55	686.6	55.35	98.37	4.07	1033.6	101.34	154.40	4.99	124.0	24.15	236.243	0.71		
WT155x37		T155_10	205	16.3	155	9.4	37.0	46.45	779.7	62.33	111.60	4.10	1171.2	114.26	174.32	5.02	125.1	33.66	332.161	0.72		
WT155x39.5		T155_11	254	14.6	153	8.8	39.5	49.26	737.5	58.17	104.03	3.87	1994.5	157.05	238.16	6.36	126.8	29.66	412.708	0.81		
WT155x43		T155_12	254	16.3	155	9.1	43.0	54.02	792.5	61.56	111.82	3.83	2226.8	175.34	265.77	6.42	128.7	40.36	559.124	0.82		
WT155x48.5		T155_13	305	15.4	154	9.9	48.5	60.69	858.6	66.61	120.34	3.76	3642.3	238.84	361.54	7.75	128.9	41.86	804.012	0.92		
WT155x53.5		T155_14	306	17	155.5	10.9	53.5	67.12	961.2	74.22	135.37	3.78	4060.6	265.40	402.07	7.78	129.5	56.46	1091.841	0.92		
WT155x58.5		T155_15	307	18.7	157	11.9	58.5	73.87	1067.3	82.00	151.14	3.80	4510.9	293.87	445.51	7.81	130.2	75.21	1464.620	0.93		
WT155x64.5		T155_16	308	20.6	159	13.1	64.5	81.58	1203.1	91.81	170.87	3.84	5018.4	325.87	494.49	7.84	131.0	100.89	1979.072	0.93		
WT155x71.5		T155_17	309	22.9	161.5	14	71.5	90.17	1334.5	100.59	190.41	3.85	5633.4	364.62	553.42	7.90	132.7	137.42	2717.985	0.94		
WT155x79		T155_18	310	25.1	163.5	15.5	79.0	99.26	1507.1	113.07	215.88	3.90	6235.6	402.30	611.34	7.93	133.3	182.14	3627.265	0.95		
WT155x89.5		T155_19	313	28.1	166.5	18	89.5	112.87	1801.0	134.33	257.97	3.99	7187.2	459.25	699.44	7.98	134.1	261.13	5296.847	0.96		
WT155x101		T155_20	315	31.8	170.5	20.1	101.0	128.05	2116.3	155.57	303.29	4.07	8292.3	526.49	802.85	8.05	136.0	379.50	7813.438	0.97		
WT155x113		T155_21	317	35.6	174	22.1	113.0	143.44	2428.8	176.45	349.64	4.11	9462.8	597.02	911.25	8.12	137.6	532.95	11123.460	0.98		
WT155x126.5		T155_22	319	39.6	178	24.4	126.5	160.09	2814.8	201.88	405.01	4.19	10729.1	672.67	1028.03	8.19	139.4	736.93	15596.606	0.99		
WT155x141.5		T155_23	322	44.1	182.5	26.9	141.5	179.23	3280.4	231.84	471.24	4.28	12291.9	763.47	1168.15	8.28	141.5	1024.66	22118.221	1.01		

AREA:

SHEET 42 of 53

TITLE:

STRUCTURE PLATES AND PROFILES CATALOGUE
INTERNAL
ESUP

Table 32 – Properties and dimensions of T profiles (3/4)

Name	Dimensions (mm)							X axis										Y axis						
	Original	FEMsoftwares	b _r	t _r	d	t _w	kg/m	Area (cm ²)	k _x (cm ⁴)	W _x (cm ³)	Z _x (cm ³)	r _x (cm)	I _y (cm ⁴)	W _y (cm ³)	Z _y (cm ³)	r _y (cm)	Y _g (mm)	J (cm ⁴)	C _w (cm ⁶)	u (m ² /m)				
WT155x156.5	T155_24		325	48.3	187	30	156.5	198.59	3847.7	268.58	547.39	4.40	13848.3	852.20	1306.63	8.35	143.3	1367.25	30100.522	1.02				
WT155x171	T155_25		328	52.6	191	32.6	171.0	217.65	4379.9	302.26	620.98	4.49	15507.7	945.59	1451.50	8.44	144.9	1781.35	39962.499	1.04				
WT155x187.5	T155_26		330	57.2	195.5	35.4	187.5	237.72	5009.6	341.32	705.17	4.59	17181.1	1041.28	1600.60	8.50	146.8	2305.44	52434.401	1.05				
WT155x207.5	T155_27		334	62.7	201.5	38.9	207.5	263.41	5910.1	395.33	819.74	4.74	19536.3	1169.84	1801.15	8.61	149.5	3078.13	71883.834	1.07				
WT155x227	T155_28		336	68.7	207.5	41.3	227.0	288.16	6711.1	443.98	932.01	4.85	21798.2	1297.51	1998.18	8.70	152.5	4038.10	95711.472	1.09				
WT180x164.5	T180_1		127	8.5	174.5	5.8	16.5	20.42	609.2	47.18	84.90	5.46	145.4	22.89	35.67	2.67	129.1	3.71	35.481	0.60				
WT180x19.5	T180_2		128	10.7	176.5	6.5	19.5	24.47	717.9	54.27	97.02	5.42	187.4	29.28	45.58	2.77	132.3	6.79	56.085	0.61				
WT180x22	T180_3		171	9.8	176	6.9	22.0	28.23	792.6	58.56	103.04	5.30	408.8	47.81	73.62	3.81	135.3	7.24	78.390	0.69				
WT180x25.5	T180_4		171	11.6	177.5	7.2	25.5	31.78	863.4	62.41	109.61	5.21	483.9	56.59	86.95	3.90	138.3	11.03	106.682	0.70				
WT180x28.9	T180_5		172	13.1	179	7.9	28.9	35.64	967.6	69.34	122.09	5.21	556.2	64.67	99.48	3.95	139.5	15.72	149.677	0.70				
WT180x32	T180_6		203	13.5	173.5	7.7	32.0	39.73	906.6	64.83	113.75	4.78	941.7	92.78	141.45	4.87	139.8	19.19	201.730	0.75				
WT180x36	T180_7		204	15.1	177	8.6	36.0	44.56	1026.7	73.11	129.00	4.80	1069.1	104.82	160.06	4.90	140.4	26.96	285.939	0.76				
WT180x39.5	T180_8		205	16.8	177	9.4	39.5	49.50	1150.8	81.23	144.20	4.82	1207.2	117.78	180.04	4.94	141.7	37.07	394.253	0.76				
WT180x45.5	T180_9		254	16.4	176.5	9.5	45.5	56.87	1201.9	83.06	147.69	4.60	2240.7	176.43	268.13	6.28	144.7	42.16	615.494	0.86				
WT180x50.5	T180_10		255	18.3	178.5	10.5	50.5	63.49	1357.6	93.18	167.06	4.62	2530.2	198.45	301.90	6.31	145.7	58.63	861.864	0.87				
WT180x55	T180_11		256	19.9	180	11.4	55.0	69.20	1495.1	102.19	184.41	4.65	2784.2	217.52	331.24	6.34	146.3	75.65	1120.524	0.87				
WT180x61	T180_12		257	21.7	181.5	13	61.0	76.54	1710.5	117.14	212.03	4.73	3072.5	239.10	365.07	6.34	146.0	100.03	1507.808	0.88				
WT205x19.4	T205_1		140	8.8	199.5	6.4	19.4	24.52	980.7	67.42	122.50	6.32	201.6	28.81	45.07	2.87	145.5	4.89	67.062	0.68				
WT205x23.05	T205_2		140	11.2	201.5	7	23.1	29.00	1134.7	75.84	136.27	6.26	256.7	36.66	57.21	2.97	149.6	8.80	98.402	0.68				
WT205x26.5	T205_3		177	10.9	201.5	7.5	26.5	33.59	1268.1	82.79	146.60	6.14	504.4	56.99	88.05	3.88	153.2	10.40	138.174	0.76				
WT205x30	T205_4		178	12.8	203.5	7.7	30.0	37.47	1372.6	87.30	153.87	6.05	602.3	67.67	104.22	4.01	157.2	15.44	179.237	0.76				
WT205x33.5	T205_5		179	14.4	205	8.8	33.5	42.55	1579.8	100.37	177.51	6.09	689.3	77.02	119.04	4.03	157.4	22.31	265.424	0.77				
WT205x37.5	T205_6		180	16	206.5	9.7	37.5	47.28	1765.0	111.60	197.83	6.11	779.0	86.56	134.08	4.06	158.1	30.61	364.175	0.77				
WT205x42.5	T205_7		181	18.2	208.5	10.9	42.5	53.68	2018.4	126.85	225.58	6.13	901.4	99.60	154.71	4.10	159.1	44.98	533.451	0.78				
WT205x50	T205_8		260	16.9	207.5	10	50.0	63.00	2018.4	120.39	211.55	5.66	2476.9	190.53	290.38	6.27	167.7	48.47	808.209	0.94				
WT205x57	T205_9		261	19.3	210	11.6	57.0	72.49	2380.7	141.45	250.16	5.73	2862.0	219.31	335.10	6.28	168.3	72.97	1236.318	0.94				
WT205x66	T205_10		263	22.2	212.5	13.3	66.0	83.70	2781.0	164.29	292.91	5.76	3369.1	256.21	392.30	6.34	169.3	111.71	1916.041	0.95				
WT205x74.5	T205_11		265	25	215.5	14.9	74.5	94.63	3199.9	187.48	336.68	5.81	3882.3	293.00	449.48	6.40	170.7	160.40	2787.951	0.96				
WT230x26	T230_1		152	10.8	225	7.6	26.0	32.70	1658.5	101.38	184.48	7.12	316.8	41.69	65.47	3.11	163.6	9.60	159.854	0.75				
WT230x30	T230_2		153	13.3	227.5	8	30.0	37.49	1861.8	110.27	198.26	7.05	397.9	52.01	81.26	3.26	168.9	15.77	211.715	0.76				
WT230x34	T230_3		154	15.4	229.5	9.1	34.0	43.20	2157.3	126.87	228.27	7.07	470.1	61.05	95.74	3.30	170.0	24.32	321.038	0.77				
WT230x37	T230_4		190	14.5	228.5	9	37.0	46.81	2219.5	127.38	225.70	6.89	830.1	87.38	135.20	4.21	174.2	24.68	364.530	0.84				
WT230x41	T230_5		191	16	230	9.9	41.0	51.75	2469.8	141.20	250.62	6.91	930.8	97.46	151.17	4.24	174.9	33.26	493.089	0.84				
WT230x44.5	T230_6		192	17.7	231.5	10.5	44.5	56.43	2675.3	151.48	268.99	6.89	1046.1	108.96	169.02	4.31	176.6	44.08	627.482	0.85				
WT230x48.5	T230_7		193	19	233	11.4	48.5	61.07	2930.4	165.60	294.68	6.93	1140.9	118.23	183.89	4.32	177.0	55.16	801.886	0.85				
WT230x53	T230_8		194	20.6	234.5	12.6	53.0	66.92	3254.6	183.90	328.10	6.97	1257.0	129.58	202.32	4.33	177.0	71.48	1069.450	0.86				
WT230x56.5	T230_9		280	17.3	231.5	10.8	56.5	71.57	2994.3	161.47	282.48	6.47	3167.0	226.21	345.33	6.65	185.4	57.68	1176.578	1.02				
WT230x64	T230_10		282	19.6	233.5	12.2	64.0	81.37	3428.9	184.09	323.79	6.49	3666.1	260.01	397.63	6.71	186.3	84.32	1737.253	1.03				

AREA:

SHEET

43 of 53

TITLE:

STRUCTURE PLATES AND PROFILES CATALOGUE
INTERNAL
ESUP

Table 33 – Properties and dimensions of T profiles (4/4)

Name	Dimensions (mm)						kg/m	Area (cm ²)	X axis				Y axis				u (m ² /m)			
	Original	FEM softwares	b _f	t _f	d	t _w			l _x (cm ⁴)	W _x (cm ³)	Z _x (cm ²)	r _x (cm)	l _y (cm ⁴)	W _y (cm ³)	Z _y (cm ³)	r _y (cm)		Y _g (mm)	J (cm ⁴)	C _w (cm ⁶)
WT230x72	T230_11		283	22.1	236	13.6	72.0	91.63	3899.2	207.97	367.93	6.52	4178.7	295.31	452.38	6.75	187.5	120.68	2494.298	1.04
WT230x79	T230_12		284	23.9	238	15	79.0	99.99	4346.2	231.39	410.68	6.59	4568.2	321.70	493.96	6.76	187.8	154.67	3254.523	1.04
WT230x88.5	T230_13		286	26.9	241	16.6	88.5	112.47	4933.9	260.40	465.25	6.62	5252.2	367.29	564.83	6.83	189.5	220.26	4659.328	1.05
WT230x96.5	T230_14		283	30.5	244.5	17	96.5	122.70	5280.2	273.58	495.10	6.56	5769.5	407.74	626.14	6.86	193.0	305.19	6110.037	1.06
WT230x106.5	T230_15		285	33.5	247.5	18.5	106.5	135.07	5885.9	302.65	551.58	6.60	6473.8	454.30	698.57	6.92	194.5	405.86	8204.666	1.07
WT230x117.5	T230_16		287	36.6	250.5	20.6	117.5	149.11	6667.0	341.57	625.31	6.69	7225.8	503.54	776.37	6.96	195.2	536.70	11088.799	1.08
WT230x130	T230_17		289	40.4	254.5	22.6	130.0	165.14	7546.5	383.04	706.30	6.76	8146.9	563.80	870.90	7.02	197.0	725.37	15177.071	1.09
WT265x33	T265_1		165	11.4	262.5	8.9	33.0	41.16	2935.7	158.23	287.78	8.45	428.2	51.91	82.56	3.23	185.5	14.18	377.846	0.86
WT265x36	T265_2		207	10.9	262	9	36.0	45.16	3127.2	163.73	296.03	8.32	807.2	77.99	121.85	4.23	191.0	15.17	421.701	0.94
WT265x37	T265_3		166	13.6	264.5	9.7	37.0	46.91	3328.6	176.03	319.86	8.42	520.3	62.69	99.59	3.33	189.1	21.76	513.772	0.86
WT265x41	T265_4		209	13.3	264	9.5	41.0	51.61	3486.4	177.48	317.96	8.22	1013.6	97.00	150.90	4.43	196.4	23.74	555.073	0.95
WT265x42.5	T265_5		166	16.5	267.5	10.3	42.5	53.24	3742.7	192.62	350.43	8.38	631.3	76.05	120.33	3.44	194.3	34.30	671.587	0.87
WT265x46	T265_6		209	15.6	266.5	10.2	46.0	58.20	3894.9	194.64	347.20	8.18	1189.0	113.78	176.88	4.52	200.1	35.60	751.058	0.95
WT265x50.5	T265_7		210	17.4	268.5	10.9	50.5	63.91	4267.7	210.95	375.88	8.17	1345.6	128.15	199.29	4.59	202.3	48.09	969.604	0.96
WT265x54.5	T265_8		211	18.8	269.5	11.6	54.5	68.75	4581.6	225.58	402.08	8.16	1475.0	139.81	217.68	4.63	203.1	60.27	1196.413	0.96
WT265x61.5	T265_9		212	21.2	272	13.1	61.5	77.80	5249.5	257.37	459.89	8.21	1688.0	159.25	248.96	4.66	204.0	86.92	1745.847	0.97
WT265x69	T265_10		214	23.8	274.5	14.7	69.0	87.78	5982.0	291.83	522.57	8.25	1950.4	182.28	286.03	4.71	205.0	123.97	2515.349	0.98
WT265x75	T265_11		312	20.3	271.5	12.2	75.0	93.98	5439.2	250.56	438.82	7.61	5141.6	329.59	503.37	7.40	217.1	102.82	2664.788	1.17
WT265x82.5	T265_12		313	22.2	273	14	82.5	104.60	6215.1	287.63	505.55	7.71	5678.6	362.85	556.02	7.37	216.1	138.11	3699.125	1.17
WT265x91	T265_13		315	24.4	275.5	15.2	91.0	115.03	6882.7	316.31	558.13	7.74	6362.7	403.98	619.78	7.44	217.6	183.35	4933.766	1.18
WT265x98	T265_14		316	26.3	277	16.5	98.0	124.47	7512.3	344.88	610.49	7.77	6925.1	438.30	673.62	7.46	217.8	231.12	6278.295	1.19
WT265x109.5	T265_15		318	29.2	280	18.3	109.5	138.75	8491.8	387.59	689.34	7.82	7837.8	492.94	759.20	7.52	219.1	318.13	8742.297	1.20
WT265x124	T265_16		315	34.5	285.5	19	124.0	156.37	9365.7	416.79	751.85	7.74	9000.4	571.45	878.47	7.59	224.7	492.50	12590.762	1.20
WT265x136	T265_17		317	37.6	288.5	21.1	136.0	172.13	10545.4	467.99	847.77	7.83	10000.9	630.97	972.52	7.62	225.3	646.15	16878.259	1.21
WT265x150	T265_18		319	41.4	292.5	23.1	150.0	190.07	11856.7	521.94	951.50	7.90	11225.1	703.77	1086.72	7.68	227.2	866.20	22871.114	1.22
WT305x41	T305_1		178	12.8	299.5	10	41.0	51.45	4813.8	229.60	416.90	9.67	604.0	67.86	108.56	3.43	209.7	22.21	781.566	0.96
WT305x46	T305_2		179	15	301.5	10.9	46.0	58.08	5422.0	254.62	463.09	9.66	720.0	80.45	128.66	3.52	212.9	32.83	1048.575	0.96
WT305x50.5	T305_3		228	14.9	301.5	10.5	50.5	64.07	5692.6	255.00	458.41	9.43	1474.4	129.34	201.54	4.80	223.2	36.49	1089.848	1.06
WT305x56.5	T305_4		228	17.3	304	11.2	56.5	71.55	6298.9	277.31	496.15	9.38	1712.1	150.18	233.82	4.89	227.1	53.18	1431.622	1.06
WT305x62.5	T305_5		229	19.6	306	11.9	62.5	78.97	6878.8	298.86	533.30	9.33	1965.5	171.66	267.10	4.99	230.2	74.11	1844.379	1.07
WT305x70	T305_6		230	22.2	308.5	13.1	70.0	88.57	7727.5	332.97	594.57	9.34	2256.3	196.20	305.88	5.05	232.1	106.17	2567.052	1.08
WT305x77.5	T305_7		324	19	305.5	12.7	77.5	97.95	7843.2	327.82	573.48	8.95	5390.2	332.73	510.19	7.42	239.3	94.29	3095.720	1.26
WT305x87	T305_8		325	21.6	308	14	87.0	110.30	8820.3	365.66	641.35	8.94	6185.6	380.65	584.41	7.49	241.2	136.36	4403.332	1.27

4.3.6. SQUARE BAR

Rolled profile obtained from Catálogo Barras e perfis Gerdau [3]. Figure 6 presents its cross section and Table 34 presents their properties and dimensions.

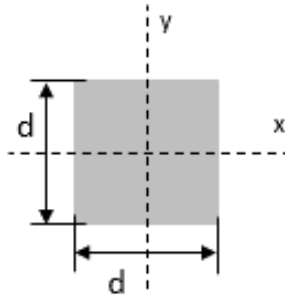


Figure 6 – Square bar

AREA:

SHEET 45 of 53

TITLE:

STRUCTURE PLATES AND PROFILES CATALOGUE
INTERNAL
ESUP

Table 34 – Properties and dimensions of square bars

Name	FEM softwares	Dimension (mm)	d	kg/m	Área (cm ²)	I _x (cm ⁴)	W _x (cm ³)	X axis = Y axis			
								Z _x (cm ²)	r _x (cm)	u (m ² /m)	
Original											
SB 6	Q6		6,35	0,32	0,40	0,014	0,043	0,064	0,183	0,025	
SB 8	Q8		7,94	0,49	0,63	0,033	0,083	0,125	0,229	0,032	
SB 10	Q10		9,53	0,71	0,91	0,069	0,144	0,216	0,275	0,038	
SB 13	Q13		12,7	1,27	1,61	0,217	0,341	0,512	0,367	0,051	
SB 16	Q16		15,88	1,98	2,52	0,530	0,667	1,001	0,458	0,064	
SB 19	Q19		19,05	2,85	3,63	1,097	1,152	1,728	0,550	0,076	
SB 22	Q22		22,23	3,88	4,94	2,035	1,831	2,746	0,642	0,089	
SB 25	Q25		25,4	5,06	6,45	3,469	2,731	4,097	0,733	0,102	
SB 29	Q29		28,58	6,41	8,17	5,560	3,891	5,836	0,825	0,114	
SB 32	Q32		31,75	7,91	10,08	8,468	5,334	8,001	0,917	0,127	
SB 38	Q38		38,1	11,40	14,52	17,560	9,218	13,827	1,100	0,152	
SB 44	Q44		44,45	15,51	19,76	32,532	14,637	21,956	1,283	0,178	
SB 51	Q51		50,8	20,26	25,81	55,498	21,849	32,774	1,466	0,203	

4.3.7. FLAT BAR

Rolled profile obtained from Catálogo Barras e perfis Gerdau [3]. Figure 7 presents its cross section and Table 35 to Table 37 present their properties and dimensions.

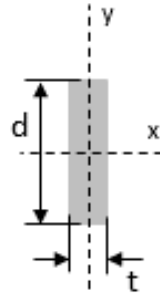


Figure 7 – Flat bar

Table 35 – Properties and dimensions of flat bars (1/3)

Name	Dimensions (mm)				X axis							Y axis				
	Original	FEM softwares	d	t	kg/m	Area (cm ²)	I _x (cm ⁴)	W _x (cm ³)	Z _x (cm ³)	r _x (cm)	I _y (cm ⁴)	W _y (cm ³)	Z _y (cm ³)	r _y (cm)	u (m ² /m)	
FB 10x3,2	F10-1		9,53	3,18	0,24	0,30	0,02	0,048	0,07	0,28	0,003	0,016	0,024	0,092	0,03	
FB 13x2,5	F13-1		12,7	2,5	0,25	0,32	0,04	0,07	0,10	0,37	0,002	0,013	0,020	0,072	0,03	
FB 13x3,2	F13-2		12,7	3,18	0,32	0,40	0,05	0,09	0,13	0,37	0,003	0,021	0,032	0,092	0,03	
FB 13x4	F13-3		12,7	3,96	0,39	0,50	0,07	0,11	0,16	0,37	0,007	0,033	0,050	0,114	0,03	
FB 13x4,8	F13-4		12,7	4,76	0,47	0,60	0,08	0,13	0,19	0,37	0,011	0,048	0,072	0,137	0,03	
FB 13x6,4	F13-5		12,7	6,35	0,63	0,81	0,11	0,17	0,26	0,37	0,027	0,085	0,128	0,183	0,04	
FB 16x2,5	F16-1		15,88	2,5	0,31	0,40	0,08	0,11	0,16	0,46	0,004	0,017	0,025	0,072	0,04	
FB 16x3,2	F16-2		15,88	3,18	0,40	0,50	0,11	0,13	0,20	0,46	0,004	0,027	0,040	0,092	0,04	
FB 16x4,8	F16-3		15,88	4,76	0,59	0,76	0,16	0,20	0,30	0,46	0,014	0,060	0,090	0,137	0,04	
FB 16x6,4	F16-4		15,88	6,35	0,79	1,01	0,21	0,27	0,40	0,46	0,034	0,107	0,160	0,183	0,04	
FB 19x3,2	F19-1		19,05	3,18	0,48	0,61	0,18	0,19	0,29	0,55	0,005	0,032	0,048	0,092	0,04	
FB 19x4,8	F19-2		19,05	4,76	0,71	0,91	0,27	0,29	0,43	0,55	0,017	0,072	0,108	0,137	0,05	
FB 19x6,4	F19-3		19,05	6,35	0,95	1,21	0,37	0,38	0,58	0,55	0,041	0,128	0,192	0,183	0,05	
FB 22x3,2	F22-1		22,23	3,18	0,55	0,71	0,29	0,26	0,39	0,64	0,006	0,037	0,056	0,092	0,05	
FB 22x4,8	F22-2		22,23	4,76	0,83	1,06	0,44	0,39	0,59	0,64	0,020	0,084	0,126	0,137	0,05	
FB 22x6,4	F22-3		22,23	6,35	1,11	1,41	0,58	0,52	0,78	0,64	0,047	0,149	0,224	0,183	0,06	
FB 22x12,7	F22-4		22,23	12,7	2,22	2,82	1,16	1,05	1,57	0,64	0,379	0,598	0,896	0,367	0,07	
FB 25x3,2	F25-1		25,4	3,18	0,63	0,81	0,43	0,34	0,51	0,73	0,007	0,043	0,064	0,092	0,06	
FB 25x4,8	F25-2		25,4	4,76	0,95	1,21	0,65	0,51	0,77	0,73	0,023	0,096	0,144	0,137	0,06	
FB 25x6,4	F25-3		25,4	6,35	1,27	1,61	0,87	0,68	1,02	0,73	0,054	0,171	0,256	0,183	0,06	
FB 25x7,9	F25-4		25,4	7,94	1,58	2,02	1,08	0,85	1,28	0,73	0,106	0,267	0,400	0,229	0,07	
FB 25x9,5	F25-5		25,4	9,53	1,90	2,42	1,30	1,02	1,54	0,73	0,183	0,384	0,577	0,275	0,07	
FB 25x12,7	F25-6		25,4	12,7	2,53	3,23	1,73	1,37	2,05	0,73	0,434	0,683	1,024	0,367	0,08	
FB 32x3,2	F32-1		31,75	3,18	0,79	1,01	0,85	0,53	0,80	0,92	0,009	0,054	0,080	0,092	0,07	
FB 32x4,8	F32-2		31,75	4,76	1,19	1,51	1,27	0,80	1,20	0,92	0,029	0,120	0,180	0,137	0,07	
FB 32x6,4	F32-3		31,75	6,35	1,58	2,02	1,69	1,07	1,60	0,92	0,068	0,213	0,320	0,183	0,08	
FB 32x7,9	F32-4		31,75	7,94	1,98	2,52	2,12	1,33	2,00	0,92	0,132	0,334	0,500	0,229	0,08	
FB 32x9,5	F32-5		31,75	9,53	2,38	3,03	2,54	1,60	2,40	0,92	0,229	0,481	0,721	0,275	0,08	
FB 32x12,7	F32-6		31,75	12,7	3,17	4,03	3,39	2,13	3,20	0,92	0,542	0,853	1,280	0,367	0,09	
FB 38x3,2	F38-1		38,1	3,18	0,95	1,21	1,47	0,77	1,15	1,10	0,010	0,064	0,096	0,092	0,08	
FB 38x4,8	F38-2		38,1	4,76	1,42	1,81	2,19	1,15	1,73	1,10	0,034	0,144	0,216	0,137	0,09	
FB 38x6,4	F38-3		38,1	6,35	1,90	2,42	2,93	1,54	2,30	1,10	0,081	0,256	0,384	0,183	0,09	
FB 38x7,9	F38-4		38,1	7,94	2,37	3,03	3,66	1,92	2,88	1,10	0,159	0,400	0,600	0,229	0,09	
FB 38x9,5	F38-5		38,1	9,53	2,85	3,63	4,39	2,31	3,46	1,10	0,275	0,577	0,865	0,275	0,10	
FB 38x12,7	F38-6		38,1	12,7	3,80	4,84	5,85	3,07	4,61	1,10	0,650	1,024	1,536	0,367	0,10	
FB 38x15,9	F38-7		38,1	15,88	4,75	6,05	7,32	3,84	5,76	1,10	1,271	1,601	2,402	0,458	0,11	
FB 44x15,9	F44-1		44,45	15,88	5,54	7,06	11,62	5,23	7,84	1,28	1,483	1,868	2,802	0,458	0,12	
FB 51x3,2	F51-1		50,8	3,18	1,27	1,62	3,47	1,37	2,05	1,47	0,014	0,086	0,128	0,092	0,11	
FB 51x4,8	F51-2		50,8	4,76	1,90	2,42	5,20	2,05	3,07	1,47	0,046	0,192	0,288	0,137	0,11	

Table 36 – Properties and dimensions of flat bars (2/3)

Name	Dimensions (mm)					X axis										Y axis				
	Original	FEM softwares	d	t	kg/m	Area (cm ²)	I _x (cm ⁴)	W _x (cm ³)	Z _x (cm ³)	r _x (cm)	I _y (cm ⁴)	W _y (cm ³)	Z _y (cm ³)	r _y (cm)	u (m ² /m)					
FB 51x6,4	F51-3	50,8	6,35	2,53	3,23	6,94	2,73	4,10	1,47	0,108	0,341	0,512	0,183	0,11						
FB 51x7,9	F51-4	50,8	7,94	3,17	4,03	8,67	3,42	5,12	1,47	0,212	0,534	0,801	0,229	0,12						
FB 51x9,5	F51-5	50,8	9,53	3,80	4,84	10,41	4,10	6,15	1,47	0,366	0,769	1,153	0,275	0,12						
FB 51x12,7	F51-6	50,8	12,7	5,06	6,45	13,87	5,46	8,19	1,47	0,867	1,366	2,048	0,367	0,13						
FB 51x15,9	F51-7	50,8	15,88	6,33	8,07	17,35	6,83	10,25	1,47	1,695	2,135	3,203	0,458	0,13						
FB 51x19,1	F51-8	50,8	19,05	7,60	9,68	20,81	8,19	12,29	1,47	2,927	3,073	4,609	0,550	0,14						
FB 51x25,4	F51-9	50,8	25,4	10,13	12,90	27,75	10,92	16,39	1,47	6,937	5,462	8,194	0,733	0,15						
FB 64x6,4	F64-1	63,5	6,35	3,17	4,03	13,55	4,27	6,40	1,83	0,135	0,427	0,640	0,183	0,14						
FB 64x7,9	F64-2	63,5	7,94	3,96	5,04	16,94	5,34	8,00	1,83	0,265	0,667	1,001	0,229	0,14						
FB 64x9,5	F64-3	63,5	9,53	4,75	6,05	20,33	6,40	9,61	1,83	0,458	0,961	1,442	0,275	0,15						
FB 64x12,7	F64-4	63,5	12,7	6,33	8,06	27,10	8,53	12,80	1,83	1,084	1,707	2,560	0,367	0,15						
FB 64x15,9	F64-5	63,5	15,88	7,92	10,08	33,88	10,67	16,01	1,83	2,119	2,669	4,003	0,458	0,16						
FB 64x19,1	F64-6	63,5	19,05	9,50	12,10	40,65	12,80	19,20	1,83	3,658	3,841	5,761	0,550	0,17						
FB 76x6,4	F76-1	76,2	6,35	3,80	4,84	23,41	6,15	9,22	2,20	0,163	0,512	0,768	0,183	0,17						
FB 76x7,9	F76-2	76,2	7,94	4,75	6,05	29,28	7,68	11,53	2,20	0,318	0,801	1,201	0,229	0,17						
FB 76x9,5	F76-3	76,2	9,53	5,70	7,26	35,14	9,22	13,83	2,20	0,550	1,153	1,730	0,275	0,17						
FB 76x12,7	F76-4	76,2	12,7	7,60	9,68	46,83	12,29	18,44	2,20	1,301	2,048	3,073	0,367	0,18						
FB 76x15,9	F76-5	76,2	15,88	9,50	12,10	58,55	15,37	23,05	2,20	2,543	3,203	4,804	0,458	0,18						
FB 76x19,1	F76-6	76,2	19,05	11,40	14,52	70,24	18,44	27,65	2,20	4,390	4,609	6,913	0,550	0,19						
FB 76x25,4	F76-7	76,2	25,4	15,19	19,35	93,65	24,58	36,87	2,20	10,406	8,194	12,290	0,733	0,20						
FB 76x50,8	F76-8	76,2	50,8	30,39	38,71	187,30	49,16	73,74	2,20	83,246	32,774	49,161	1,466	0,25						
FB 89x15,9	F89-1	88,9	15,88	11,08	14,12	92,98	20,92	31,38	2,57	2,967	3,736	5,605	0,458	0,21						
FB 89x17,5	F89-2	88,9	17,46	12,18	15,52	102,23	23,00	34,50	2,57	3,943	4,517	6,775	0,504	0,21						
FB 89x19,1	F89-3	88,9	19,05	13,29	16,94	111,54	25,09	37,64	2,57	5,122	5,377	8,066	0,550	0,22						
FB 89x25,4	F89-4	88,9	25,4	17,73	22,58	148,72	33,46	50,19	2,57	12,140	9,559	14,339	0,733	0,23						
FB 102x6,4	F102-1	101,6	6,35	5,06	6,45	55,50	10,92	16,39	2,93	0,217	0,683	1,024	0,183	0,22						
FB 102x7,9	F102-2	101,6	7,94	6,33	8,07	69,39	13,66	20,49	2,93	0,424	1,068	1,601	0,229	0,22						
FB 102x9,5	F102-3	101,6	9,53	7,60	9,68	83,29	16,40	24,59	2,93	0,733	1,538	2,307	0,275	0,22						
FB 102x12,7	F102-4	101,6	12,7	10,13	12,90	111,00	21,85	32,77	2,93	1,734	2,731	4,097	0,367	0,23						
FB 102x15,9	F102-5	101,6	15,88	12,67	16,13	138,79	27,32	40,98	2,93	3,391	4,270	6,405	0,458	0,23						
FB 102x19,1	F102-6	101,6	19,05	15,19	19,35	166,49	32,77	49,16	2,93	5,853	6,145	9,218	0,550	0,24						
FB 102x25,4	F102-7	101,6	25,4	20,26	25,81	221,99	43,70	65,55	2,93	13,874	10,925	16,387	0,733	0,25						
FB 102x31,8	F102-8	101,6	31,75	25,32	32,26	277,49	54,62	81,94	2,93	27,098	17,070	25,605	0,917	0,27						
FB 102x38,1	F102-9	101,6	38,1	30,39	38,71	332,99	65,55	98,32	2,93	46,826	24,581	36,871	1,100	0,28						
FB 108x38,1	F108-1	107,95	38,1	32,29	41,13	399,40	74,00	111,00	3,12	49,753	26,117	39,175	1,100	0,29						
FB 114x12,7	F114-1	114,3	12,7	11,40	14,52	158,04	27,65	41,48	3,30	1,951	3,073	4,609	0,367	0,25						
FB 121x9,5	F121-1	120,65	9,53	9,03	11,50	139,47	23,12	34,68	3,48	0,870	1,826	2,739	0,275	0,26						
FB 152x6,4	F152-1	152,4	6,35	7,60	9,68	187,30	24,58	36,87	4,40	0,325	1,024	1,538	0,183	0,32						
FB 152x7,9	F152-2	152,4	7,94	9,50	12,10	234,20	30,74	46,10	4,40	0,636	1,601	2,402	0,229	0,32						

Table 37 – Properties and dimensions of flat bars (3/3)

Name	Dimensions (mm)				X axis					Y axis				
	Original	FEM softwares	d	t	kg/m	Area (cm ²)	I _x (cm ⁴)	W _x (cm ³)	Z _x (cm ³)	r _x (cm)	I _y (cm ⁴)	W _y (cm ³)	Z _y (cm ³)	r _y (cm)
FB 152x9,5	F152-3	152,4	9,53	11,40	14,52	281,10	36,89	55,34	4,40	1,099	2,307	3,460	0,275	0,32
FB 152x12,7	F152-4	152,4	12,7	15,19	19,35	374,61	49,16	73,74	4,40	2,601	4,097	6,145	0,367	0,33
FB 152x15,9	F152-5	152,4	15,88	19,00	24,20	468,41	61,47	92,21	4,40	5,086	6,405	9,608	0,458	0,34
FB 152x19,1	F152-6	152,4	19,05	22,79	29,03	561,91	73,74	110,61	4,40	8,780	9,218	13,827	0,550	0,34
FB 152x25,4	F152-7	152,4	25,4	30,39	38,71	749,22	98,32	147,48	4,40	20,812	16,387	24,581	0,733	0,36
FB 203x6,4	F203-1	203,2	6,35	10,13	12,90	443,98	43,70	65,55	5,87	0,434	1,366	2,048	0,183	0,42
FB 203x7,9	F203-2	203,2	7,94	12,67	16,13	555,15	54,64	81,96	5,87	0,848	2,135	3,203	0,229	0,42
FB 203x9,5	F203-3	203,2	9,53	15,20	19,36	666,32	65,58	96,37	5,87	1,466	3,076	4,614	0,275	0,43
FB 203x12,7	F203-4	203,2	12,7	20,26	25,81	887,96	87,40	131,10	5,87	3,469	5,462	8,194	0,367	0,43
FB 203x15,9	F203-5	203,2	15,88	25,33	32,27	1110,30	109,28	163,92	5,87	6,781	8,540	12,810	0,458	0,44
FB 203x19,1	F203-6	203,2	19,05	30,39	38,71	1331,94	131,10	196,64	5,87	11,707	12,290	18,435	0,550	0,44
FB 203x25,4	F203-7	203,2	25,4	40,52	51,61	1775,92	174,80	262,19	5,87	27,749	21,849	32,774	0,733	0,46

4.3.8. ROUND BAR

Rolled profile obtained from Catálogo Barras e perfis Gerdau [3]. Figure 8 presents its cross section and Table 38 and Table 39 present their properties and dimensions.

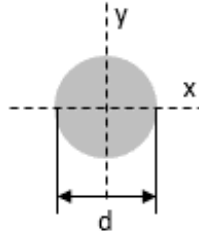


Figure 8 – Round bar

Table 38 – Properties and dimensions of round bars (1/2)

Name	Dimension (mm)	X axis = Y axis										
		Original	FEM softwares	d	kg/m	Area (cm ²)	I _x (cm ⁴)	W _x (cm ³)	Z _x (cm ³)	r _x (cm)	J (cm ⁴)	u (m ² /m)
RB 6	R6			6,35	0,25	0,32	0,008	0,03	0,04	0,16	0,016	0,02
RB 8	R8			7,94	0,39	0,50	0,020	0,05	0,08	0,20	0,039	0,02
RB 10	R10			9,53	0,56	0,71	0,040	0,08	0,14	0,24	0,081	0,03
RB 13	R13			12,7	0,99	1,27	0,128	0,20	0,34	0,32	0,255	0,04
RB 14	R14			14,29	1,26	1,60	0,205	0,29	0,49	0,36	0,409	0,04
RB 16	R16			15,88	1,55	1,98	0,312	0,39	0,67	0,40	0,624	0,05
RB 17	R17			17,46	1,88	2,39	0,456	0,52	0,89	0,44	0,912	0,05
RB 19	R19			19,05	2,24	2,85	0,646	0,68	1,15	0,48	1,293	0,06
RB 21	R21			20,64	2,63	3,35	0,891	0,86	1,47	0,52	1,782	0,06
RB 22	R22			22,23	3,05	3,88	1,199	1,08	1,83	0,56	2,397	0,07
RB 24	R24			23,81	3,50	4,45	1,578	1,33	2,25	0,60	3,155	0,07
RB 25	R25			25,4	3,98	5,07	2,043	1,61	2,73	0,64	4,086	0,08
RB 27	R27			26,99	4,49	5,72	2,605	1,93	3,28	0,67	5,210	0,08
RB 29	R29			28,58	5,04	6,42	3,275	2,29	3,89	0,71	6,550	0,09
RB 30	R30			30,16	5,61	7,14	4,062	2,69	4,57	0,75	8,123	0,09
RB 32	R32			31,75	6,22	7,92	4,988	3,14	5,33	0,79	9,976	0,10
RB 33	R33			33,34	6,85	8,73	6,065	3,64	6,17	0,83	12,130	0,10
RB 35	R35			34,93	7,52	9,58	7,307	4,18	7,10	0,87	14,615	0,11
RB 37	R37			36,51	8,22	10,47	8,722	4,78	8,11	0,91	17,444	0,11
RB 38	R38			38,1	8,95	11,40	10,344	5,43	9,22	0,95	20,687	0,12
RB 40	R40			39,69	9,71	12,37	12,181	6,14	10,42	0,99	24,363	0,12
RB 41	R41			41,28	10,51	13,38	14,254	6,91	11,72	1,03	28,507	0,13
RB 43	R43			42,86	11,33	14,43	16,565	7,73	13,12	1,07	33,129	0,13
RB 44	R44			44,45	12,18	15,52	19,163	8,62	14,63	1,11	38,325	0,14
RB 46	R46			46,04	13,07	16,65	22,050	9,58	16,26	1,15	44,101	0,14
RB 48	R48			47,63	13,99	17,82	25,263	10,61	18,00	1,19	50,527	0,15
RB 51	R51			50,8	15,91	20,27	32,691	12,87	21,84	1,27	65,381	0,16
RB 52	R52			52,39	16,92	21,56	36,980	14,12	23,96	1,31	73,959	0,16
RB 54	R54			53,98	17,96	22,89	41,677	15,44	26,21	1,35	83,355	0,17
RB 57	R57			57,15	20,14	25,65	52,364	18,33	31,10	1,43	104,728	0,18
RB 59	R59			58,74	21,27	27,10	58,439	19,90	33,77	1,47	116,879	0,18
RB 60	R60			60,33	22,44	28,59	65,028	21,56	36,59	1,51	130,057	0,19
RB 62	R62			61,91	23,63	30,10	72,113	23,30	39,54	1,55	144,226	0,19
RB 64	R64			63,5	24,86	31,67	79,811	25,14	42,66	1,59	159,623	0,20
RB 65	R65			65,08	26,11	33,26	88,056	27,06	45,93	1,63	176,112	0,20
RB 67	R67			66,68	27,41	34,92	97,040	29,11	49,40	1,67	194,081	0,21
RB 70	R70			69,85	30,08	38,32	116,852	33,46	56,79	1,75	233,704	0,22
RB 71	R71			71,44	31,46	40,08	127,842	35,79	60,75	1,79	255,685	0,22
RB 73	R73			73,03	32,88	41,89	139,629	38,24	64,90	1,83	279,258	0,23

AREA:

SHEET 52 of 53

TITLE:

STRUCTURE PLATES AND PROFILES CATALOGUE
INTERNAL
ESUP

Table 39 – Properties and dimensions of round bars (2/2)

Name	Dimension (mm)	X axis = Y axis										
		Original	FEM softwares	d	kg/m	Area (cm ²)	I _x (cm ⁴)	W _x (cm ³)	Z _x (cm ³)	r _x (cm)	J (cm ⁴)	u (m ² /m)
RB 76	R76			76,2	35,80	45,60	165,497	43,44	73,72	1,91	330,994	0,24
RB 78	R78			77,79	37,31	47,53	179,748	46,21	78,44	1,94	359,497	0,24
RB 79	R79			79,38	38,85	49,49	194,901	49,11	83,34	1,98	389,802	0,25
RB 83	R83			82,55	42,01	53,52	227,949	55,23	93,73	2,06	455,899	0,26
RB 87	R87			87,31	47,00	59,87	285,250	65,34	110,90	2,18	570,500	0,27
RB 89	R89			88,9	48,73	62,07	306,603	68,98	117,07	2,22	613,207	0,28
RB 95	R95			95,25	55,94	71,26	404,045	84,84	143,99	2,38	808,090	0,30
RB 102	R102			101,6	63,64	81,07	523,052	102,96	174,75	2,54	1046,104	0,32
RB 103	R103			103,19	65,65	83,63	556,571	107,87	183,09	2,58	1113,141	0,32

**TECHNICAL SPECIFICATION**

Nº I-ET-3010.00-1400-140-P4X-001

REV. E

AREA:

SHEET 53 of 53

TITLE:

STRUCTURE PLATES AND PROFILES CATALOGUE**INTERNAL****ESUP****ANNEX**

All tables present in this document are in the sheet annexed below.



ANNEX%20I%20-%20
0Structure_Plates_ar